

Product Information Multifunction valve PENTABLOC

The correct solution for all cases

Diaphragm dosing pumps are influenced by numerous system conditions in terms of dosing accuracy. This applies particularly in the area without back pressure up to approx. 1 bar.

When it comes to dosing in unpressurised systems, inertia in the accelerated fluid leads to overdosing. On the other hand, dosing pumps must be protected against excessive pressure, or at least must be prevented from allowing undesired dosing quantities from flowing due to a siphon effect.

The multifunction valve PENTABLOC is indispensable for avoiding all of the above problems.

One fitting – five functions

The PENTABLOC offers five functions for optimally operating solenoid-diaphragm dosing pumps at up to 8 l/h and motor-driven diaphragm dosing pumps at up to 45 l/h.

The pressure retaining function optimises the dosing accuracy; it also avoids overdosing in unpressurised, open systems. The antisiphon function avoids undesired siphoning.

The PENTABLOC acts also as a safety valve to protect the dosing pump from inadmissible high pressure. On the PVC version of the multifunction valve, a vertically moving ball in a transparent feed pipe enables you to carry out dosing control.

A further function enables you to relieve pressure in the delivery line by returning the medium to the supply tank. This is of particular benefit for maintenance work.

The multifunction valve is easy to assemble, meaning that you can use it quickly in a straightforward manner – the PENTABLOC is assembled directly on the dosing pump's discharge valve.

In Short

- Suitable for solenoid-diaphragm dosing pumps up to 8 l/h and for motor-driven diaphragm dosing pumps up to 45 l/h
- Direct assembly on the dosing pump's discharge valve
- Pressure retaining function
- Antisiphon function
- Safety function
- Pressure relief function
- Dosing monitoring function



Technical specifications

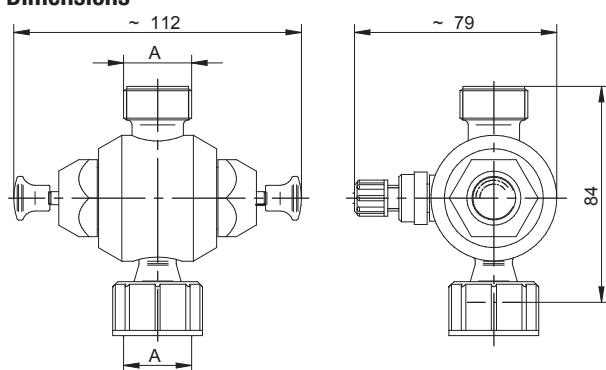
Housing material	PVC or PVDF	
Sealing material	FPM or EPDM/CSM	
Diaphragm material	FPM or EPDM	
Connections	Input	Cap nut G5/8 or G3/4
	Output	Threaded pin G5/8 or G3/4
Dosing range	Solenoid-diaphragm dosing pumps	up to 8 l/h
	Motor-driven dosing pumps	up to 45 l/h
Max. viscosity	20 mPas	
Opening pressure of the safety valve	approx. 11 bar or 5 bar	
Holding pressure	approx. 3 bar or 1.5 bar	
Approved media temperature	PVC: 35 °C	
	PVDF: 80 °C	
Approved ambient temperature	40 °C	
Weight	~ 0.2 kg	

Product Information Multifunction valve PENTABLOC

Model variants

Product name	Connection A	Opening pressure of the safety valve	Holding pressure	Material			Order no.
				Housing	Seal	Diaphragms	
PENTABLOC	G5/8	11 bar	3 bar	PVC	FPM	FPM	12601001
	G5/8	5 bar	3 bar	PVC	FPM	FPM	12601027
	G5/8	5 bar	1.5 bar	PVC	FPM	FPM	12601036
	G5/8	11 bar	3 bar	PVC	CSM/EPDM	EPDM	12601025
	G5/8	5 bar	3 bar	PVC	CSM/EPDM	EPDM	12601024
	G5/8	5 bar	1.5 bar	PVC	CSM/EPDM	EPDM	12601046
	G5/8	11 bar	3 bar	PVDF	FPM	FPM	12601005
	G5/8	5 bar	3 bar	PVDF	FPM	FPM	12601035
	G3/4	11 bar	3 bar	PVC	FPM	FPM	12601011
	G3/4	5 bar	1.5 bar	PVC	FPM	FPM	12601037
	G3/4	11 bar	3 bar	PVC	CSM/EPDM	EPDM	12601026
	G3/4	11 bar	3 bar	PVDF	FPM	FPM	12601015

Dimensions



All dimensions in mm

Accessories

In addition to the PENTABLOC system, the following accessories are available for installation:

Description		Order no.
PVC base	Clamp connection 4/6 – G5/8	34560
	Clamp connection 6/9 – G5/8	40934
	Clamp connection 6/12 – G5/8	34561
PVC wall bracket	G5/8	34563
	G3/4	34564

Spare parts

Description		Order no.
Spare parts set for PENTABLOC G5/8 containing: O-rings, seals and diaphragms	FPM	35326
	CSM/EPDM	35327
Spare parts set for PENTABLOC G3/4 containing: O-rings, seals and diaphragms	FPM	35328
	CSM/EPDM	35329