

High Viscosity “V-Pumps”

Purpose

Neptune high viscosity, flat diaphragm “V-Pumps” are designed to accurately meter viscous fluids up to 5000 cP such as polymers and other thick liquids.

Features/Benefits

- Handles moderate viscosity fluids.
- Standard flat diaphragm.
- Large internal porting with a large, single ball, suction check valve.
- Capacities to 30 gph (113 lph) at 100 psi (8 kg/cm²).
- Available in all 316SS with SS trim.
- Electric or pneumatic stroke control options and variable speed drives.
- Variable Oil By-pass™ stroke adjustment mechanism provides better valve performance than variable linkage designs.
- Teflon® diaphragm withstands most chemicals.

Variable Oil By-pass™ stroke adjustment allows an adjustable time delay between the end of the suction stroke and the beginning of the discharge stroke. This delay permits the ball to seat fully before pumping resumes, even in the heaviest liquids, so that pumping accuracy remains high. (See Bulletin DP-1100 for details on “How It Works”.)

Neptune
CHEMICAL PUMP CO., INC.



**MODEL
520-VS-N3**

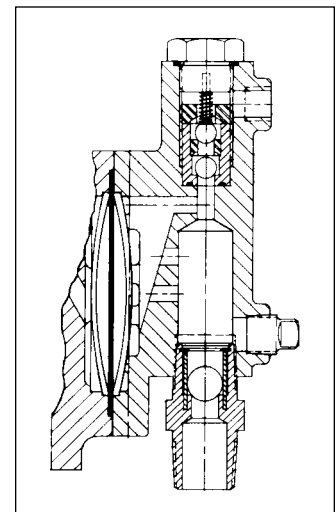
Materials of Construction

CODE	HEAD	VALVES	DIAPHRAGM	O-RINGS
N3	316SS	316SS	Teflon®	Viton®

For more information on Neptune Series 500 Pumps and Control Options request Bulletin DP-1100.

For Higher Viscosity Applications request Bulletin TP.

CROSS SECTIONAL VIEW



Neptune Series V Flat Diaphragm Pumps

SELECTION CHART

SIMPLEX MODELS (DUPLEX AVAILABLE)

Standard Motor: 1/3 HP-single phase-115VAC-60 cycles-TEFC



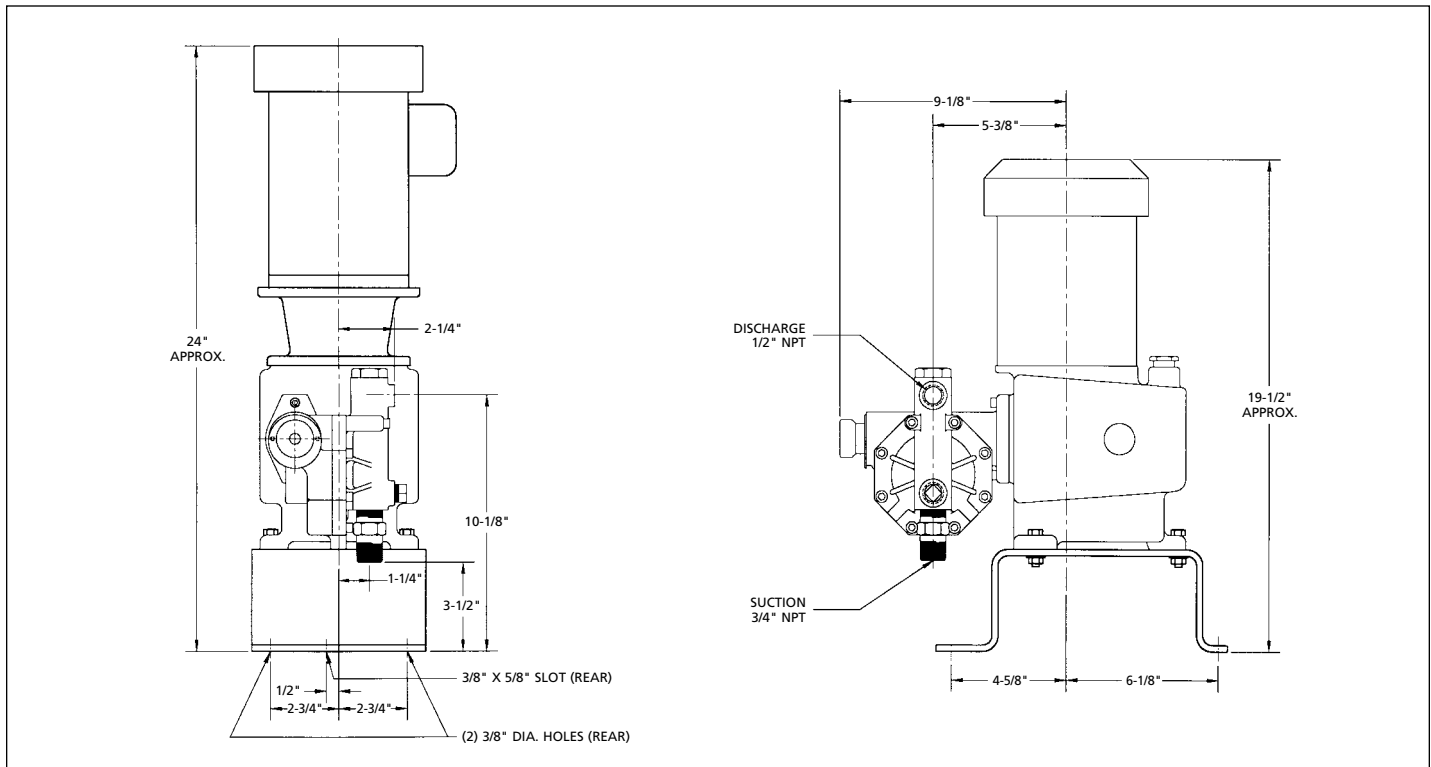
MODEL 532-V5-N3

- Gearbox, drive train and motor options are identical to Series 500 "dia-PUMP."

MODEL NUMBER	MATERIALS OF CONSTRUCTION	CAPACITY GPH (LPH) @ 100 PSI	MAXIMUM PRESSURE PSI (KG/CM ²)	PISTON DIAMETER	STROKES PER MINUTE	SHIPPING WEIGHT LBS.
515-VS-N3	316SS	3.0 (11.3)	900 (63)	0.500	117	70
520-VS-N3	316SS	2.0 (7.5)	400 (28)	0.687	37	70
522-VS-N3	316SS	4.0 (15.1)	500 (35)	0.687	72	70
525-VS-N3	316SS	7.0 (26.5)	700 (49)	0.687	117	70
530-VS-N3	316SS	5.5 (20.8)	300 (21)	1.062	37	70
532-VS-N3	316SS	11.0 (41.6)	300 (21)	1.062	72	70
535-VS-N3	316SS	18.0 (68.0)	300 (21)	1.062	117	70
537-VS-N3	316SS	22.0 (83.0)	300 (21)	1.062	144	70
547-VS-N3	316SS	30.0 (113.0)	200 (14)*	1.187	144	70

*300 PSI (21 KG/CM²) at 1/2 HP

DIMENSIONS



SOLD BY:

P.O. Box 247 • Lansdale, PA 19446-0247
 Tel: 215-699-8700 • Fax: 215-699-0370
 Toll-Free Fax: 1-800-255-4017
 Web Site: <http://www.neptune1.com>
 E-mail: pump@neptune1.com