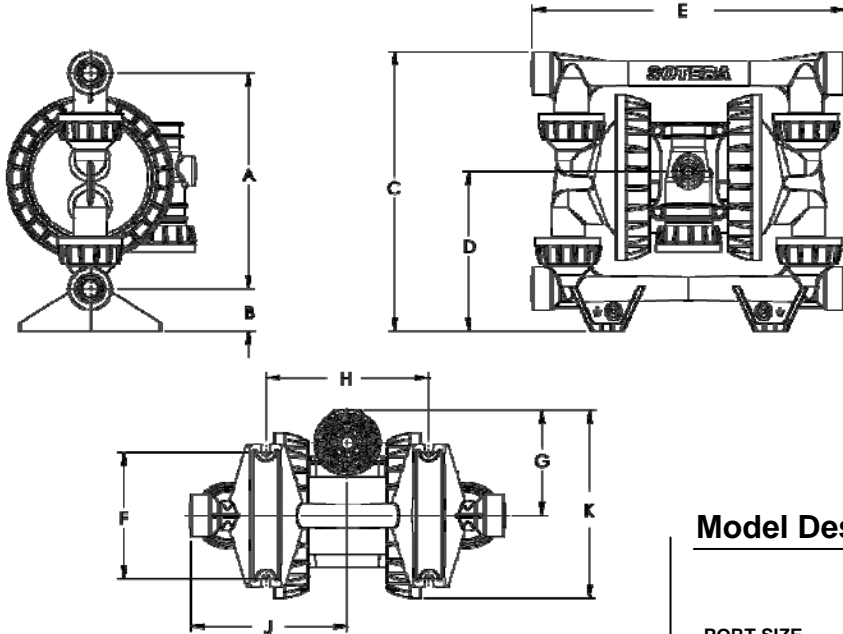


1/2" Air Operated Diaphragm Pump S & E Data Sheet

Model SP100-05X-XX-XXX-X



Dimension	Inches	Metric
A	8.245"	209.42 mm
B	1.625"	41.28 mm
C	10.70"	271.78 mm
D	6.123"	155.524 mm
E	12.000"	304.80 mm
F	4.875"	123.825 mm
G	4.031"	102.387 mm
H	6.250"	158.75 mm
J	6.000"	152.40 mm
K	7.206"	183.032 mm

Pump Technical Data

Pump Type: Non-Metallic Air Operated Double Diaphragm
Models: See Model Description Chart for "-XXX"
Construction Materials: See Model Description Charts
Maximum Air Inlet Pressure: 100 p.s.i.g. (6.9 bar)
Maximum Material Inlet Pressure: 10 p.s.i.g. (.69 bar)
Maximum Outlet Pressure: 100 p.s.i.g. (6.9 bar)
Air Consumption (@ 40p.s.i.): 0.65 c.f.m. / gallon (approx.)
Maximum Flow Rate (flooded inlet): 17.5 g.p.m. (66.23 l.p.m.)
Displacement / Cycle @ 100p.s.i.g.: 0.036 gal. (0.14 lit.)
Maximum Particle Size: 3/32" dia. (2.4 mm)
Maximum Temperature Limits (diaphragm / ball / seat material):
 Acetal 10° to 180° F (-12° to 82° C)
 Hytrel® -20° to 150° F (-29° to 66° C)
 PVDF 10° to 200° F (-12° to 93° C)
 Polypropylene. 35° to 175° F (2° to 79° C)
 Santoprene® -40° to 225° F (-40° to 107° C)
 PTFE 40° to 225° F (4° to 107° C)

Dimensional Data (box): 11-3/4"(H) x 14-1/4" (W) x 9-1/8" (D)

Noise Level: 75.0 db (A) (@ 70 p.s.i., 60 c.p.m.)

Weight Information:

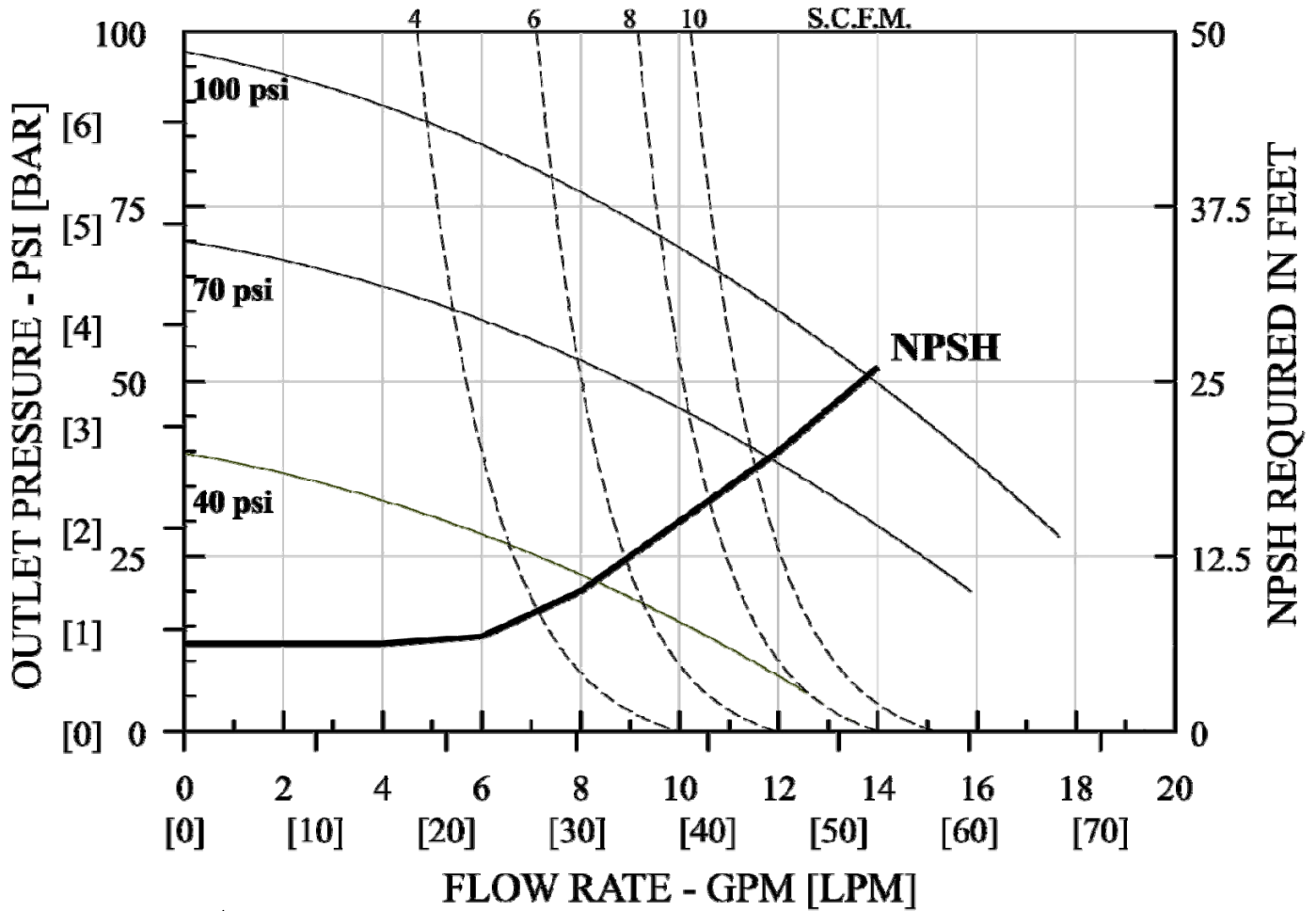
Pump Material	Pump Weight lbs	Pump Weight Kg	Shipping Weight lbs	Shipping Weight Kg
Polypropylene	5.7	2.6	7.2	3.3
PVDF	7.2	3.3	8.7	4.0
Groundable Acetal	6.8	3.1	8.3	3.8

Model Description Information

SP100 - 05 X - XX - XXX - X

PORT SIZE									
FLUID CONNECTION									
N - 1/2-14 NPTF-1									
B - Rp 1/2 (BSPP)									
DRIVE MATERIAL OF CONSTRUCTION									
P - POLYPROPYLENE									
C - GROUNDABLE NYLON									
WET-END MATERIAL OF CONSTRUCTION									
P - POLYPROPYLENE									
D - GROUNDABLE ACETAL									
F - PVDF									
DIAPHRAGM									
S - SANTOPRENE®									
H - HYTREL®									
T - PTFE WITH SANTOPRENE® BACKER									
BALLS									
S - SANTOPRENE®									
H - HYTREL®									
T - PTFE									
SEATS									
S - SANTOPRENE®									
H - HYTREL®									
P - PP (w/PTFE seal)									
F-PVDF (w/PTFE seal)									
OPTIONS									
FLUID SECTION SERVICE KIT									
DIAPHRAGM									
BALLS									
SEATS									

SP100-05X-XX-XXX



(Performance based on water at ambient temperature)

ACCESSORIES

The following accessories are available to customize your SP100 AOD Pump.

Contact your Sotera Representative if you have questions, or would like to order any of the accessories listed below.

Part #	Accessory	Description
KITS05WMA	Wall Mount Bracket	Stainless steel bracket for wall mount applications of the SP100 AOD Pump.
KITS05FRH	Filter / Regulator Kit	Air line filter, regulator, and hose
KITS05MUF	Muffler	Muffler for air exhaust
KITS05WCH	Assembly Wrench	Special service tool for use on manifold and fluid retainer rings
KIT180MAMPS	Tote Plate (for IBC tote)	Tote plate, attaching hardware

Visit us on the web at:

www.sotera.com

Learn more about Tuthill Corporation and our family of high quality, value minded products at:

www.tuthill.com