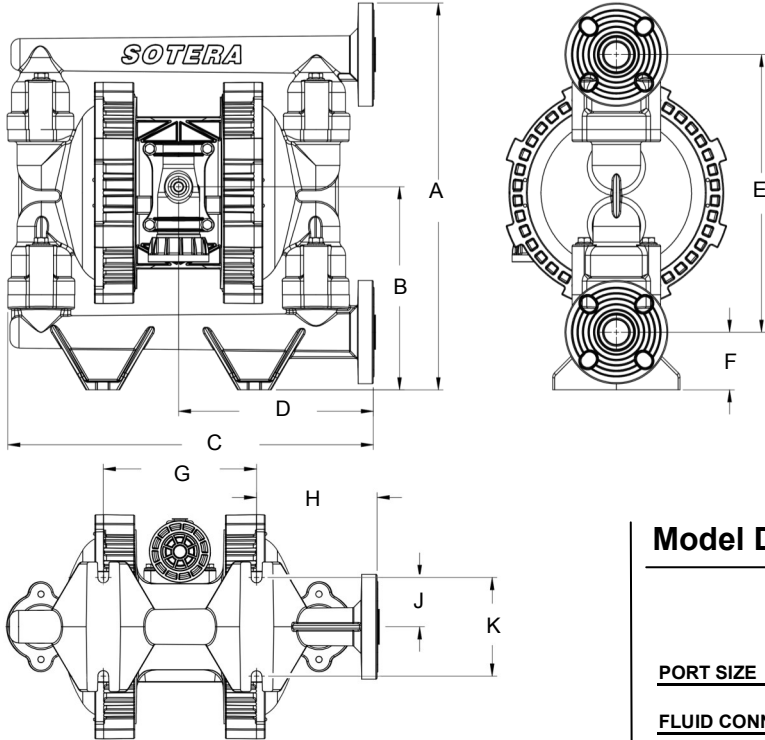


## 1" Air Operated Diaphragm Non-Metallic Pump S & E Data Sheet Model SP100-10X-XX-XXX-X



Dimension	Inches	Metric
A	15.90"	403.96 mm
B	8.35"	212.01 mm
C	15.07"	382.79 mm
D	8.03"	203.96 mm
E	11.41"	289.76 mm
F	2.37"	60.25 mm
G	6.25"	158.75 mm
H	4.91"	124.71 mm
J	2.000"	50.80 mm
K	4.00"	101.60 mm

### Pump Technical Data

**Pump Type:** Non-Metallic Air Operated Double Diaphragm

**Models:** See Model Description Chart for "-XXX"

**Construction Materials:** See Model Description Charts

**Maximum Air Inlet Pressure:** 100 psig. (6.9 bar)

**Maximum Material Inlet Pressure:** 10 psig. (.69 bar)

**Maximum Outlet Pressure:** 100 psig. (6.9 bar)

**Air Consumption (@ 40 p.s.i.):** 1.21 cfm / gallon (approx.)

**Air Connection:** 1/4" NPT

**Maximum Flow Rate (flooded inlet):** 51-gpm (193 lpm)

**Displacement / Cycle @ 100p.s.i.g.:** .21 gal. (0.79 lit.)

**Maximum Particle Size:** 3/16" dia. (4.8 mm)

**Maximum Temperature Limits:**

PVDF..... 10° to 200° F (-12° to 93° C)

HYTREL®..... -20° to 150° F (-29° to 66° C)

Polypropylene..... 35° to 175° F (2° to 79° C)

Santoprene®..... -40° to 225° F (-40° to 107° C)

PTFE..... 40° to 225° F (4° to 107° C)

**Dimensional Data (Box):**

16-1/2"(H) x 17-1/2" (W) x 11-1/4" (D) (non-metallic pump)

**Weight Information:**

Pump Material	Pump Weight lbs	Pump Weight Kg	Shipping Weight lbs	Shipping Weight Kg
Polypropylene	16 lbs.	7 Kg.	22 lbs.	10 Kg.
PVDF	21 lbs.	10 Kg.	27 lbs.	12 Kg.

### Model Description Information

**SP100 - 10 X - XX - XXX - X**

**PORT SIZE**

**FLUID CONNECTION**

F - 1" ANSI / DIN FLANGE

**DRIVE MATERIAL OF CONSTRUCTION**

P - POLYPROPYLENE

**WET-END MATERIAL OF CONSTRUCTION**

P - POLYPROPYLENE

F - PVDF

**DIAPHRAGM**

S - SANTOPRENE®

H - HYTREL®

T - PTFE WITH EPDM BACKER

**BALLS**

S - SANTOPRENE®

H - HYTREL®

T - PTFE

M - STAINLESS STEEL

**SEATS**

S - SANTOPRENE®

H - HYTREL®

P - POLYPROPYLENE

F - PVDF

**OPTIONS**

**FLUID SECTION SERVICE KIT**

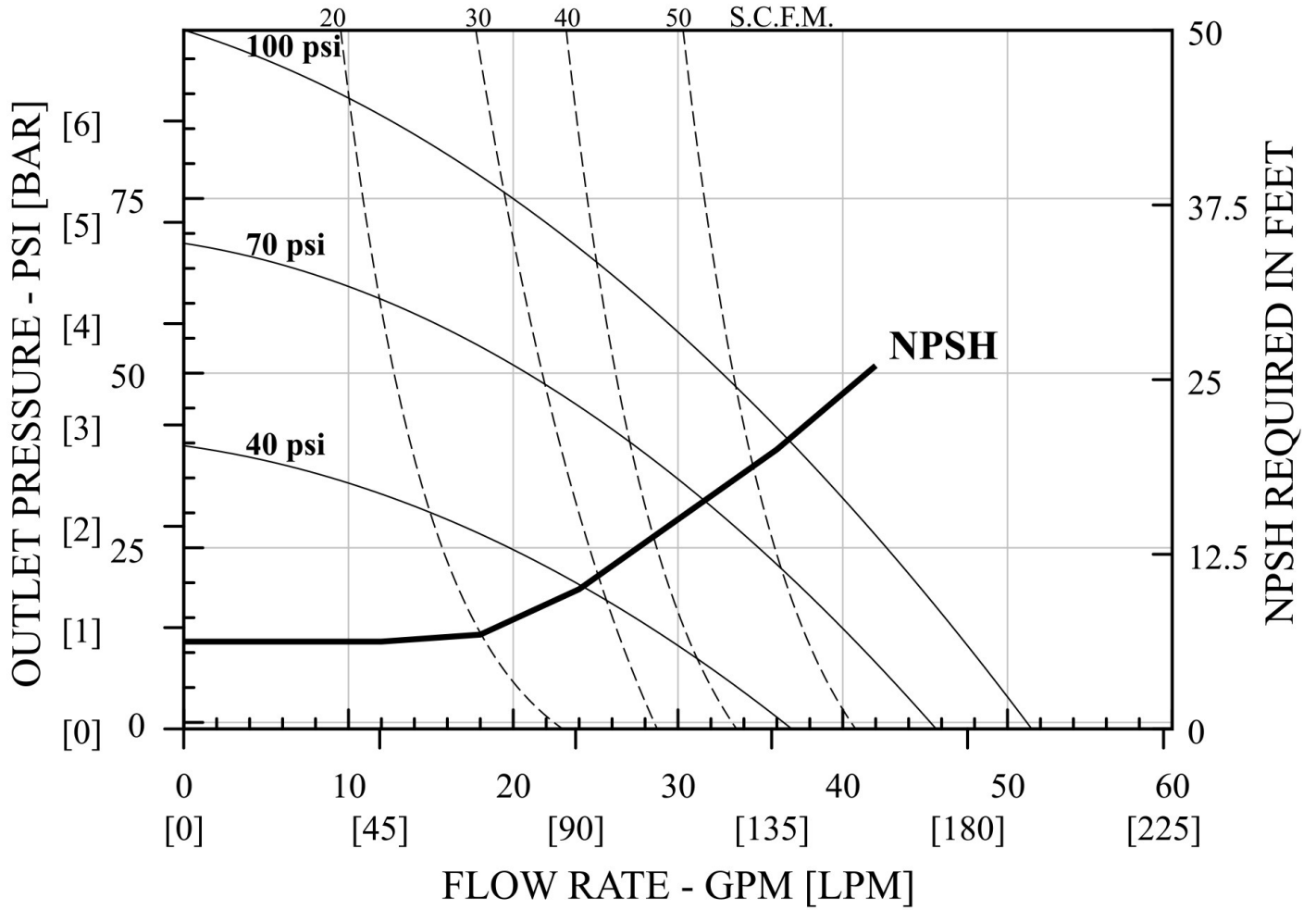
KIT X X X

**DIAPHRAGM**

**BALLS**

**SEATS**

# SP100-10X-XX-XXX



## ACCESSORIES

The following accessories are available to customize your SP100 Air Operated Diaphragm Pump. Contact your Sotera Representative if you have questions, or would like to order any of the accessories listed below.

Part #	Accessory	Description
KITS10WMA	Wall Mount Bracket	Steel bracket for wall mount applications of the SP100 Air Operated Diaphragm Pump.
KITS10FRH	Filter / Regulator Kit	Air line filter, regulator, and hose
KITS05MUF	Muffler	Muffler for air exhaust
KITS10WCH	Assembly Wrench	Special service tool for use on fluid cap rings

Visit us on the web at:

[www.sotera.com](http://www.sotera.com)

Learn more about Tuthill Corporation and our family of high quality, value minded products at:

[www.tuthill.com](http://www.tuthill.com)