

# 2WPS Series

## PRESSURE SWITCH - DIAPHRAGM ACTUATED



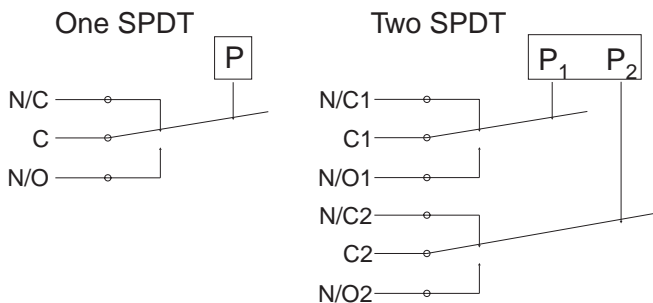
- Ranges from 2 to 300 PSI
- Rugged NEMA 4X, 12 & 13 Housing
- One or Two SPDT Contacts
- Various Wetted Materials Available
- Calibrated Setpoint Scale Available

### Description

The Winters' Series 2WPS Pressure Switch (Diaphragm Actuated) features a rugged, compact, sensitive switching mechanism actuated by a diaphragm assembly. This mechanism can be supplied with one S.P.D.T. electric switch or two S.P.D.T. electric switches that are independently adjusted. The unit can be supplied with no housing, or enclosed in a rugged die cast NEMA 4X, 12 and 13 housing. With the cover of the enclosure removed, the terminals of the electric switch(es), and the pressure adjustment(s) are exposed for easy wiring and adjustment of the pressure setting. The die cast cover is equipped with captive stainless steel screws that retain the cover gasket when the cover is removed. A useful feature of the single switch enclosed model is a calibrated pressure adjustment that aligns with a numerical pressure indicating scale showing the set point range. Other useful options can easily be specified with this model.

Common applications include: Tank and compressor level and precision control, hydraulic systems, pumping controls and hazardous area lift station controls.

### Wiring Schematic



### INSTALLATION NOTES

**Orientation** - The 2WPS will operate satisfactorily in any position, however, mounting the device vertically will allow the easiest adjustability and reduce sediment in the pressure chamber.

**Wiring** - Switches may be wired to 'normally open' or 'normally closed' terminals on electric switch(es). Single switch units have screw terminals while dual switch versions use push-on connectors.

**Pressure Connection** - 1/4 NPT female is standard. 1/2 NPT male is available ("M" option).

**Adjustment** - Turn pressure adjustment nut(s) clockwise to increase setpoint. Detailed installation & calibration instructions are provided for every shipment. Adjustment setting is available at no charge.

Specifications - 2WPS (Diaphragm Actuated)	
<b>Housing:</b>	Diecast Aluminum
<b>Pressure Connection:</b>	1/4" NPT female
<b>Electrical Connection:</b>	1/2" NPT
<b>Port Material:</b>	Brass & Aluminum
<b>Diaphragm Material:</b>	Buna N
<b>Deadband:</b>	Fixed
<b>Sensitivity:</b>	1/2% of range (for SPDT)
<b>Drift:</b>	<1% of range (100,000 operations)
<b>Contact Ratings:</b>	15A - 125, 250, 480 VAC
<b>Set Point Adjustment:</b>	Screw type, field adjustable
<b>No. Contacts:</b>	One or Two S.P.D.T.
<b>Contact Listings:</b>	UL Recognized, CSA Certified
<b>Maximum Ambient Temperature:</b>	180°F
<b>Minimum Ambient Temperature:</b>	-20°F
<b>Weight:</b>	Approx. 1.5 lbs.



Corporate Office: 121 Railside Road • Toronto • ON • M3A 1B2 • (416) 444-2345 • Fax: (416) 444-8979

U.S.A. Office: 600 Ensminger Road • Buffalo • NY • 14150 • (716) 874-8700 • Fax: (716) 874-8800

[www.winters.com](http://www.winters.com) • 1-800-WINTERS (946-8377)

## How To Order: Specify Product Code

