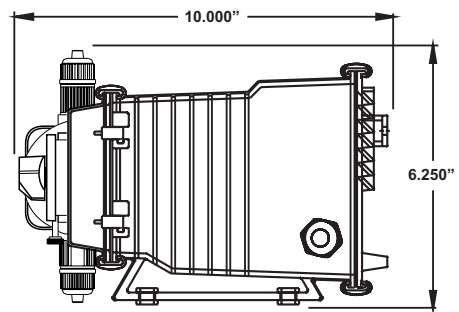
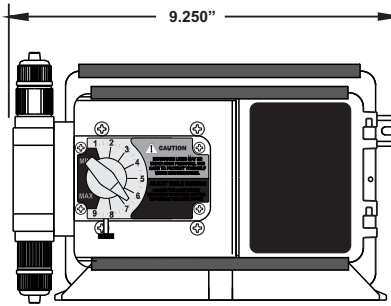
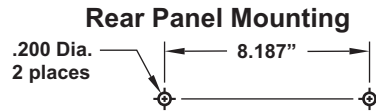
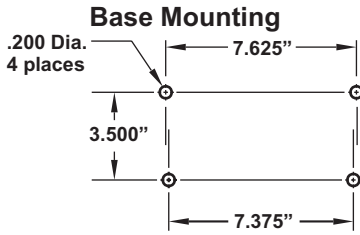


Blue-White Industries, Ltd.

CHEM-FEED® Diaphragm Metering Pumps

Dimensions:



Model Number Matrix:

MODEL		C	11	X								
Pump system selection		<ul style="list-style-type: none"> C = Pump without tank system T = Pump mounted on STAR-3 tank 										
Output Control		<ul style="list-style-type: none"> V = Digital speed control with external input F = Analog speed control C = Analog timer, 5 sec. Cycle - 100% duty A = Analog timer, 60 sec. Cycle - 100% duty E = Digital batch timer with external input X = No output control - fixed feed rate 										
Maximum Motor RPM		<ul style="list-style-type: none"> 0 = 14 RPM 3 = 60 RPM 1 = 30 RPM 4 = 125 RPM 2 = 45 RPM 5 = 250 RPM 										
Power Supply (motor protection)		<ul style="list-style-type: none"> 4 = 115V60Hz (TP) 5 = 220V50Hz (TP) 6 = 230V60Hz (TP) 7 = 240V50Hz (TP) TP = Thermal protection 										
Cam Stroke Length		<ul style="list-style-type: none"> 1 = .125" 3 = .187" 2 = .055" 4 = .100" 										
Electrical Options		<ul style="list-style-type: none"> X = Standard Equipment A = Junction box replaces power cord P = Power cord and junction box R = 230V Power cord w/NEMA 6/15 plug Z = Proportional feed system - JBox/Cord 										
Footvalve / Tank Capacity		<ul style="list-style-type: none"> 0 = C-340 1 = C-345 2 = C-340-6T A = 7 Gallons (U.S.) B = 15 Gallons (U.S.) C = 30 Gallons (U.S.) 										
Injection Fitting		<ul style="list-style-type: none"> 0 = A-014HD (Polypropylene - ½ lb spring) 1 = C-395HD (Polypropylene - 6 lb spring) A = A-014-6T (Teflon - ½ lb spring) B = C-395-6T (Teflon - 6 lb spring) C = A-014HDK (PVDF - ½ lb spring) D = C-395HDK (PVDF - 6 lb spring) 										
Elastomer Material		<ul style="list-style-type: none"> V = Viton E = EP 										
Diaphragm Style		<ul style="list-style-type: none"> 0 = Large Teflon/EP 1 = Large Teflon/Viton 6 = Small Teflon / EP 7 = Small Teflon / EP 										
Pump Head Style		<ul style="list-style-type: none"> 0 = Large Diaphragm 2 = Small Diaphragm 5 = Large Pressure release 7 = Large Diaphragm w/single ball valve 										
Pump Head Material		<ul style="list-style-type: none"> 0 = Injection molded Polypropylene 4 = Machined Teflon 5 = Machined Acrylic 										

Flow rate and pressure capacities:

Max Output at 0 PSI					Strokes	Max	115V/60Hz	230V/60Hz	220V/50Hz
GPD	GPH	LPH	OZ/MIN	Per minute	PSI	Model Number	Model Number	Model Number	
57.7	2.4	9.1	5.1	60	150	C11X344X000V00	C11X364X000V00	C11X354X000V00	
119.7	4.9	18.9	10.6	125	150	C11X444X000V00	C11X464X000V00	C11X454X000V00	
155.9	6.4	24.6	13.8	125	150	C11X441X000V00	C11X461X000V00	C11X451X000V00	
260.8	10.8	41.1	23.1	250	100	C11X544X000V00	C11X564X000V00	C11X554X000V00	
360.0	15.0	56.8	32.0	250	25	C11X543X000V00	C11X563X000V00	C11X553X000V00	

