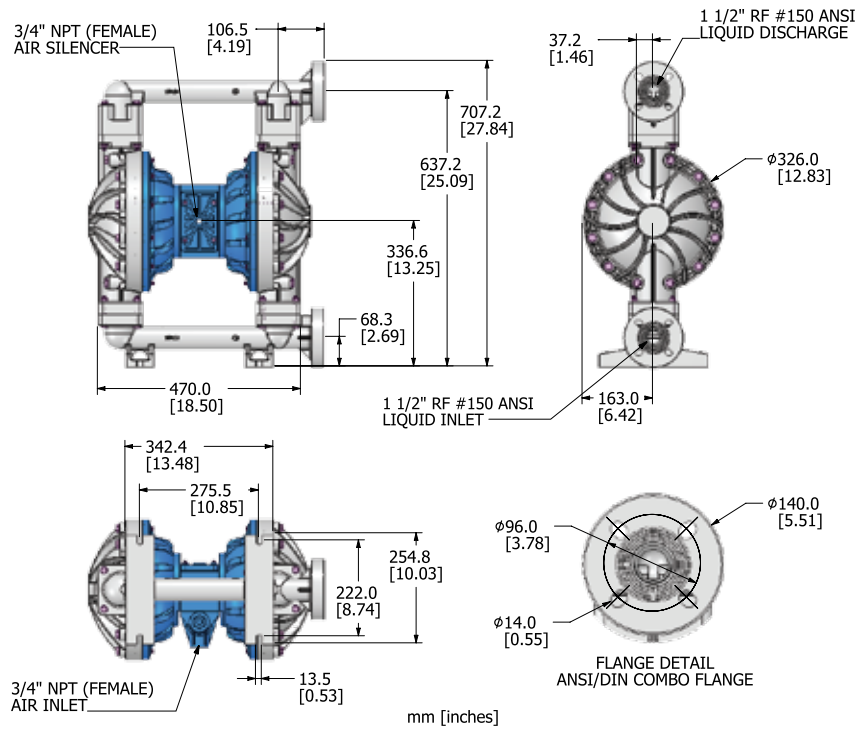


# 1.5" NON-METALLIC BOLTED

## Air Operated Double Diaphragm Pump

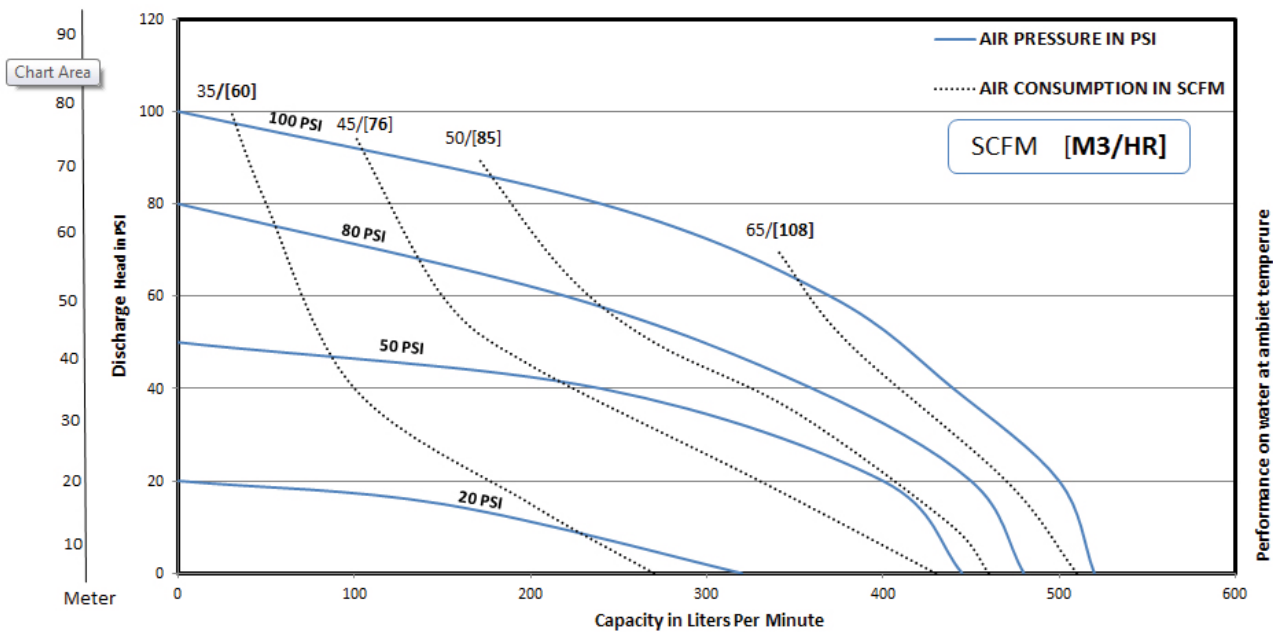
### DIMENSIONAL DATA



### SPECIFICATION

- Max Flow rate  
520 LPM
- Max Solid Sizes  
6 mm
- Fluid Connections  
1.5" 150# ANSI/DIN Flange
- Air inlet  
3/4" NPT(F)
- Max. Lift Dry Limits  
6.1 m
- Max. working Pressure  
125 psi
- Temperature Limits  
Determined by Elastomers

### PERFORMANCE



\* Product pattern pending