



MELT PRESSURE  
TRANSDUCERS & TRANSMITTERS

Product Specification Sheet

FLANGE MOUNTED LOW PRESSURE/TRANSMITTER

FOR HAZARDOUS ENVIRONMENTS

Models 330X, 331X w/ FX, FY option  
330P, 331P w/ FX, FY option

Models 430X, 431X w/ FX, FY option  
430P, 431P w/ FX, FY option



\*REFER TO APPENDIX A  
FOR WIRING CODES\*

FEATURES:

- All-welded stainless steel construction
- State-of-the-art circuitry allows heavier diaphragm and increased fatigue life
- Standard options for every requirement
- FM Explosion Proof Approved (Class I, Division I, Class A, B, C, D)
- CSA Explosion Proof Approved
- HART Communication available (430X, 431X)

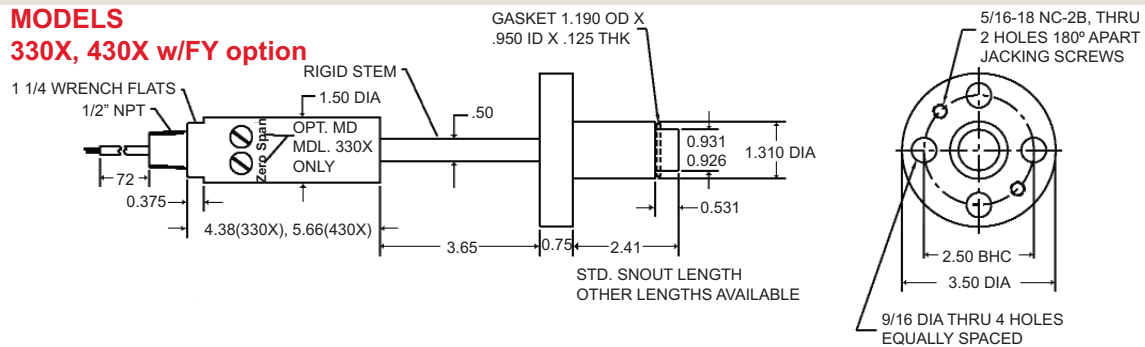
PRESSURE RANGES:

- From 0-25 through 0-10,000 psig (See ordering guide)

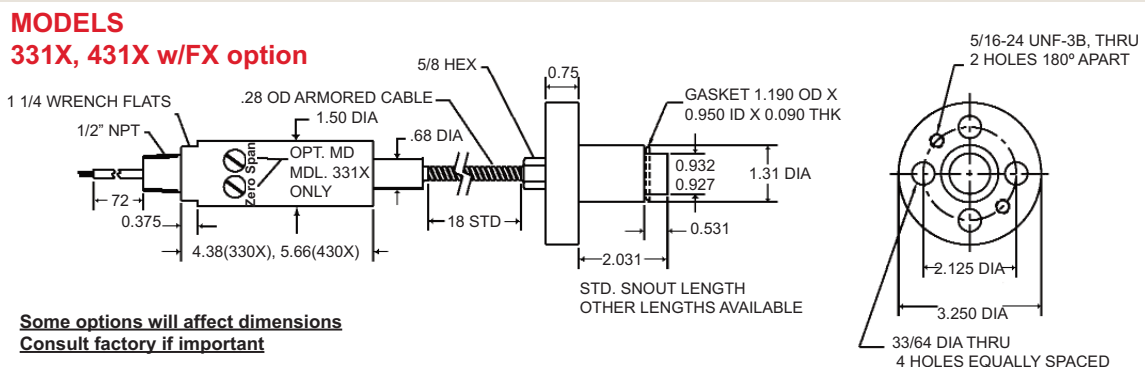
ACCURACY:

- 0.5% FSO standard, 0.25% FSO available
- 0.15% FSO available on Models 430X, 431X

MODELS  
330X, 430X w/FY option



MODELS  
331X, 431X w/FX option



Some options will affect dimensions  
Consult factory if important

GP:50 reserves the right to make product improvements and amendments to the product specifications stated throughout this brochure without prior notification. Please contact the factory on all critical dimensions and specifications for verification.



## MELT PRESSURE TRANSDUCERS & TRANSMITTERS

Specifications reflect standard product, improved performance/mechanical options available. Modifications may alter specs, consult factory for more information.

<b>Accuracy</b>	<b>Static Error Band (Non-linearity, Hysteresis, Non-repeatability, also includes Temperature effects for models 430X, 431X)</b> ±0.5% FSO (RSS) (330X, 331X), ±0.5% FSO (RSS) ranges less than 500 psi (430X, 431X), ±0.2% FSO (RSS) 500 through 3500 psi (430X, 431X), ±0.15% FSO (RSS) 5000 through 30000 psi (430X, 431X)	
<b>Ranging (430X, 431X only)</b>	3:1 25 through 2500 psi 5:1 3000 through 30000 psi	
<b>Material in Contact with Pressure Media</b>	316 stainless steel / 15-5 PH diaphragm, Armoloy coated (hard chrome) Diamond, Boron or Titanium Nitride coatings optional	
<b>Proof Pressure</b>	2 times full scale pressure range	
<b>Temperature Limits</b>	Diaphragm	Strain Gauge Housing
<b>Temperature Effects</b>	<b>Zero</b> 2 psi/100°F at diaphragm <b>Zero / Span</b> Less than ±1.0% FSO/100°F (±2.0% FSO/100°C) Included in accuracy	
From Fill (330X, 331X)		
From Strain Gauge Housing (330X, 331X)		
Fill & Housing (430X, 431X)		
<b>Orientation Shift on Zero</b>	Unit length x2 inHg, Option MD zero and span controls strongly recommended on 330X, 331X	
<b>Electricals</b>	<b>Excitation Voltage</b>	<b>Output at 70° F</b>
(Model 330X/331X)	9-36 Vdc	4-20 mA ±2% FSO
(Model 430X/431X)	12-36 Vdc	4-20 mA ±2% FSO
Zero Balance	(Model 330X/331X) 4.0 mA ±5% FSO at 70°F vertical tip down	(Model 430X/431X) 4.0 mA ±0.2% FSO at 70°F vertical tip down
Load Impedance	(Model 330X,331X) 1350 ohms max. at 36 Vdc & 750 ohms at 24 Vdc	(Model 430X/431X) 1200 ohms maximum, at 36 Vdc & 600 ohms at 24 Vdc
<b>Connections</b>	3.5" OD Flange, 3.25" OD Flange (see ordering guide)	
Pressure	1/2" NPT (M) with 72" leads	
Electrical		
<b>Enclosed Materials</b>	316 Stainless Steel	
<b>Mounting Torque</b>	110 inch pounds, maximum	
<b>Identification</b>	Etched Stainless Steel nameplate welded to body.	

### ORDERING GUIDE

Model: X 3X X-XX - FX / XX / XX / XX / XX

ELECTRICAL OUTPUT	
1	3.33 mV/V
2	0-5 Vdc
3	4-20 mA

BASE MODEL	
0	Rigid Stem Only
1	Rigid Stem and Flex

HAZARDOUS APPROVAL	
X	FM Explosion Proof
P	FM & CSA Explosion Proof

PRESSURE RANGE			
PO	25 PSI	UL	2 BAR
PT	30 PSI	UM	3 BAR
PV	50 PSI	UN	5 BAR
PX	75 PSI	UP	7.5 BAR
PZ	100 PSI	UQ	10 BAR
RB	150 PSI	UR	15 BAR
RD	200 PSI	US	20 BAR
RE	250 PSI	UT	30 BAR
RF	300 PSI	UV	50 BAR
RH	500 PSI	UX	75 BAR
RJ	600 PSI	SZ	Custom
RK	750 PSI		
RM	1,000 PSI		

FLANGE TYPE	
X	3.25 Diameter Flange
Y	3.50 Diameter Flange

CAPILLARY TUBE LENGTH	
Blank	18 Inch (457.2mm) Flex
HS	9 Inch (228.6mm) Flex
HY	12 Inch (304.8mm) Flex
HV	24 Inch (609.6mm) Flex
GT	30 Inch (762mm) Flex

DIAPHRAGM OPTIONS	
Blank	15-5 PH Diaphragm
GP	Hastelloy C-276 Diaphragm & Threads
GQ	Boron Hardened Diaphragm
JW	Titanium Nitride Coated Diaphragm & Threads
QS	Diamond Coating (DLC)

FILL TYPES	
Blank	Mercury (Standard - Included)
GV	Silicon Oil Fill (500°F Max)
GX	Mineral Oil Fill (500°F Max)

CONNECTOR OPTIONS	
Blank	1/2" NPT (M) Thread with 72" Leads
CF	1/2" NPT (M) Thread with 36" Leads

\* Other Options Available - Consult Factory

**INTERTECHNOLOGY**  
INC.

19 Waterman Ave, Toronto, Ont. M4B1Y2  
Ph#416-445-5500 Fax#416-445-1170

Toll Free: 1-800-465-1600

Email: sales@intertechnology.com

Website: www.intertechnology.com