

Model 3410

Shear Beam Load Cells



Features

- ◆ Capacities: 500 - 2000 kg (1000 - 4000 lbs)
- ◆ Low profile for industrial platforms
- ◆ Nickel plated alloy steel construction
- ◆ 6 Wire (sense) circuit
- ◆ IP67 protection
- ◆ Approved to OIML R60 and NTEP
- ◆ BASEEFA and Factory Mutual options

Model 3410 is a low profile shear beam load cell designed for high accuracy platform scales, pallet scales and process weighing applications.

It has high immunity to shock or side loading, and is available in 2 or 3 mV/V sensitivity. Approved to OIML, NTEP, ASEEFA and Factory Mutual approval standards.

Nickel plating and full environmental sealing assure long term reliability. A stainless steel option is available for the lb versions for use in harsh or corrosive environments.

The two additional sense wires feed back the voltage reaching the load cell. Complete compensation of changes in lead resistance due to temperature change and/or cable extension, is achieved by feeding this voltage into the appropriate electronics.

Also Available from Tedea-Huntleigh

The Model 3410 load cell can be supplied with self leveling rubber feet for use in low profile platforms. Cellmates and Tank mounts are also available, see the Tedea-Huntleigh Load Cell Accessory Catalog for full details.

This load cell is also available in 250 & 5000 kg. The model 3420 is manufactured in 5000, 7500 and 10,000 capacities.

TEDEA **th**
HUNTLEIGH
EXCELLENCE IN LOAD CELLS

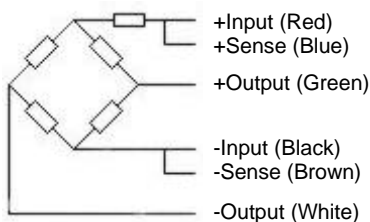
Model 3410

High Accuracy Compression Load Cells

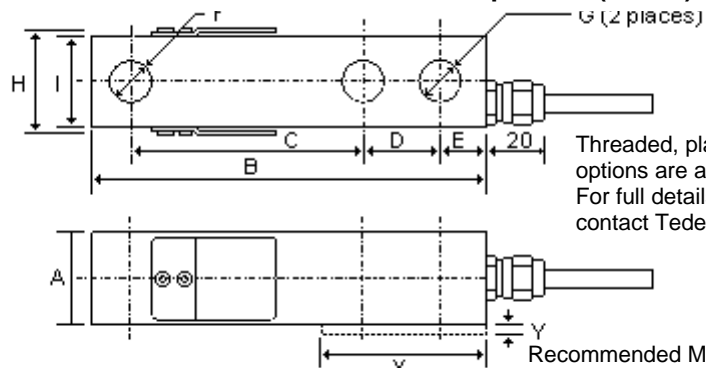
GRADE	Z	E	F	C3**	UNITS
Rated Capacities :Metric	500, 1000, 2000				kg
Rated Output	2 ± 0.10%	2 ± 0.10%			mV/V
Temperature Effect : On Zero	0.015	0.007	0.0035	0.0014*	±% of Rated Output /°C
Total Return after 30 minutes	0.070	0.050	0.0250	0.0150	±% of Applied Load
Rated Capacities :Imperial	1000, 1500, 2500, 4000				lb
Rated Output	3.0 ± 0.10%				mV/V
Temperature Effect : On Zero	0.015	0.007	0.0035	0.0023**	±% of Rated Output /°C
Zero Return after 30 minutes	0.070	0.050	0.0250	0.0170	±% of Applied Load
Total Error (According to OIML R60)	0.075	0.050	0.0300	0.0200	±% of Applied Load
Temperature Effect: On Output	0.007	0.004	0.0014	0.0012	±% of Applied Load /°C
Zero Balance	3.0		2.0		±% of Rated Output
Temperature Range: Operating	-30 to +80				°C
Temperature Range: Compensated	-10 to +40				°C
Safe Overload	150				% of Rated Capacity
Ultimate Overload	300				% of Rated Capacity
Excitation: Recommended	10				Volts AC or DC
Excitation: Maximum	15				Volts AC or DC
Input Impedance	380±10				Ohms
Output Impedance	350±3				Ohms
Insulation Impedance	>2000				Mega Ohms
Deflection at Rated Capacity	<0.4				mm
Weight: 0.5, 1 ton (1, 1.5, 2.5, 4 Klb)	0.9				kg
Weight: 2 ton	1.1				
Construction	Electrolysis Nickel Plated Steel#				
Environmental Protection	IP67				
Cable	5 Meters (kg), 3 Meters (lb), 6 Wire Polyurethane Jacket, Dual Floating Screen				
Approvals					

*Standard 30% Utilization (kg) #Stainless steel version available (lb capacities and unapproved only) **Standard 50% Utilization (lb)

Wiring Schematic Diagram



Outline Dimensions All Capacities (in mm)

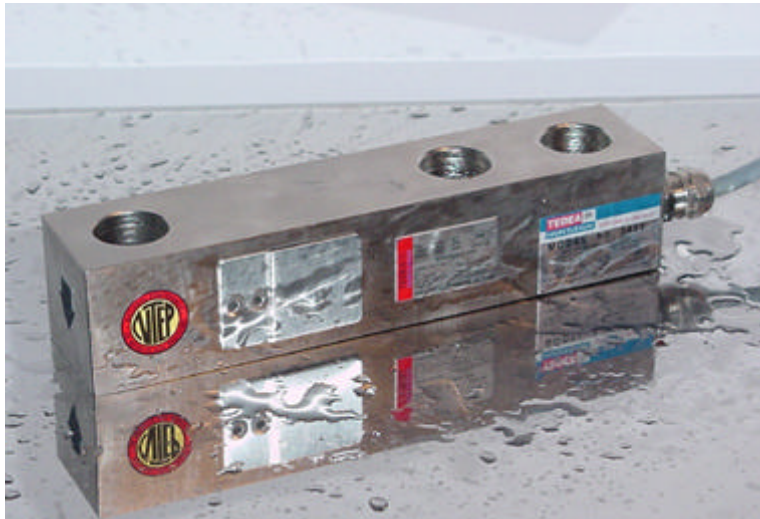


CAPACITY	A	B	C	D	E	ØF	ØG	H	I	X	Y
1000, 15000, 2500, 4000 lb	30.5	130	76.2	25.4	16	Ø13.5	Ø13.5	34.0	30.5	57	4
500, 1000 kg	30.5	130	76.2	25.4	16	M12*	Ø13.5	34.0	30.5	57	4
2000 kg	36	130	76.2	25.4	16	M12*	Ø13.5	34.0	30.5	57	4

*Tapped M12X1.75 & counter bored Ø13.5X14.5 Deep

Model 3420

Shear Beam Load Cells



Features

- ◆ Capacities: 5000 - 10000 lbs
- ◆ Low profile for platform scale applications
- ◆ Nickel plated alloy steel construction
- ◆ 6 Wire (sense) circuit
- ◆ IP67 protection
- ◆ Approved to NTEP and Factory Mutual

Model 3420 is a low profile shear beam load cell designed for high accuracy platform scales, pallet scales and process weighing applications.

It has high immunity to shock or side loading, and is available in 3 mV/V sensitivity. Approved to NTEP and Factory Mutual approval standards.

Nickel plating and full environmental sealing assure long term stability over the entire compensated temperature range. A stainless steel option is available for use in harsh or corrosive environments.

The two additional sense wires feed back the voltage reaching the load cell. Complete compensation of changes in lead resistance due to temperature change and/or cable extension, is achieved by feeding this voltage into the appropriate electronics.

Also Available from Tedea-Huntleigh

Cellmates and Tank mounts are also available, see the Tedea-Huntleigh Load Cell Accessory Catalog for full details.

For harsh industrial environments a fully welded hermetically sealed stainless steel load cell is available, designated model 3510.

TEDEA **th**
HUNTLEIGH
EXCELLENCE IN LOAD CELLS

Model 3420

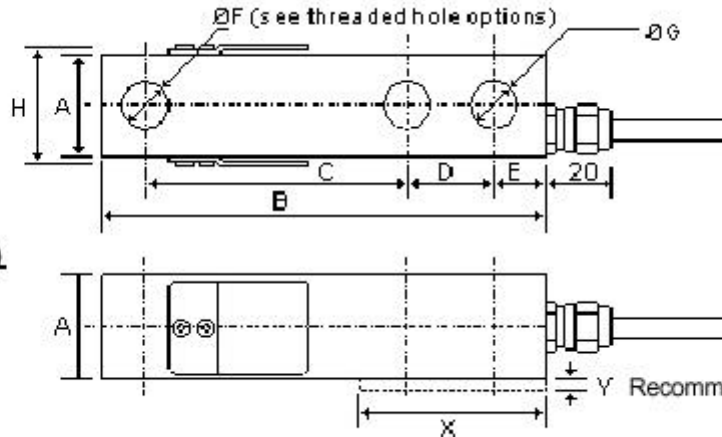
Shear Beam Load Cells

GRADE	Z	E	F	C3	UNITS
Rated Capacities	5000, 7500, 10000 (2270, 3400, 4540)				lbs (kg)
Rated Output	3.0 ± 0.10%				mV/V
Total Error*	0.075	0.050	0.030	0.020	±% of Applied Load
Zero Return after 30 minutes	0.070	0.050	0.025	0.017	±% of Applied Load
Temperature Effect: On Output	0.007	0.0040	0.0014	0.0012	±% of Applied Load /°C
Temperature Effect: On Zero	0.015	0.0070	0.0035	0.0023	±% of Rated Load Output /°C
Zero Balance	3.0		2.0		±% of Rated Output
Temperature Range: Operating	-30 to +80				°C
Temperature Range: Compensated	-10 to +40				°C
Safe Overload	150				% of Rated Capacity
Ultimate Overload	300				% of Rated Capacity
Excitation: Recommended	10				Volts AC or DC
Excitation: Maximum	15				Volts AC or DC
Input Impedance	380±10				Ohms
Output Impedance	350±3				Ohms
Insulation Impedance	>2000				Mega Ohms
Deflection at Rated Capacity	<0.4				mm
Weight	1.75				kg
Construction	Electrolysis Nickel Plated Steel**				
Environmental Protection	IP67				
Cable	10 ft (Standard, Option 20 ft), 6 Wire Polyurethane Jacket, Dual Floating Screen				
Approvals	NTEP and Factory Mutual				

*Total Error - According to OIML R60

**Stainless steel version available

Outline Dimensions All Capacities (in mm)

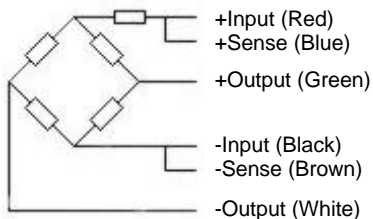


Hole Options (Dia F & G)
Available with counterbored mounting and/or loading holes.

Threaded Hole Options (Dia F)

3421 with M18 or 3/4-16 UNF threaded mounting hole.

Wiring Schematic Diagram



MODEL	CAPACITY	A	B	C	D	E	ØF	ØG	H	X	Y
3420	5K, 7.5K, 10K	37	171.5	95.4	38.1	19	Ø19.8	Ø19.8	40.9	76	7.5

INTERTECHNOLOGY
1-800-465-1600 INC.

19 Waterman Ave. Toronto, Ont. M4B1Y2
Tel: 416-445-5500 Fax: 416-445-1170
Toll Free: 1-800-465-1600
Email: sales@intertechnology.com
Website: www.intertechnology.com