

ET-467 – 22" (1680 x 1050)

NO. DS200640140105 | EN
2014 | V 01.02.11



ET-467 – 22" (1680 x 1050)

Highlights

- Rugged Panel PCs for temperatures ranging between -20 °C up to +60 °C [-4 °F up to +140 °F]
- Rugged, modular structured product design
- Without additional enclosure suitable for use in hazardous areas / many enclosure and mounting options

Firmware/Software

- OPEN HMI – open for all software applications
- Ready-to-run operating system in 25 languages
- Windows Embedded Standard 2009 / 7 Ultimate
- Optional installation of visualization software e. g. WinCC flexible® / Factory Talk View® / Vijeo Citect®, etc.

Description

With the ET-667 and its 22" screen we bring the widescreen technology to on-site operation. Modern digital data transfer technology and the high-quality LED-backlit monitor add to the ET-667's outstanding qualities – suitable for applications in hazardous areas, Zone 1, 2, 21 and 22.

The high bright 22" monitor displays perfect process images point-to-point from the PC, even in 1280 x 1024 or in 1680 x 1050 resolution and 16:10 aspect ratio – up until now, this is the most popular monitor in the process industry. Designed as a control panel module, the monitor can easily be mounted into stainless steel enclosures or walls; alternatively, it can be rear-mounted without front plate.

Explosion Protection

Examination Certificate / Identification



ATEX directive 94/9/EG

BVS 11 ATEX E102 X
II 2 (2) G Ex d e ia ib mb [ia ib] IIC T4 Gb
II 2 (2) D Ex ia tb [ia ib] IIIC T80°C Db IP66

IECEx

TUR 11.0075X
Ex e q [ia op is Ga] IIC T4 Gb
Ex tb IIIC [ia op is Da] IP65 T110°C Db

GOST-R

POCC DE.ГБ04.В01882
Operating licence
PPC 00-048723
1Ex e q [ia op is Ga] IIC T4 Gb
Ex tb IIIC [ia op is Da] IP65 T110°C Db

KGS / KCC

12-GA4B0-0617X
Ex e q IIC T4
Ex tb IIIC IP64 T110°C
Ex ia IIC T4
Ex ia IIIB T110°C

Ingress protection

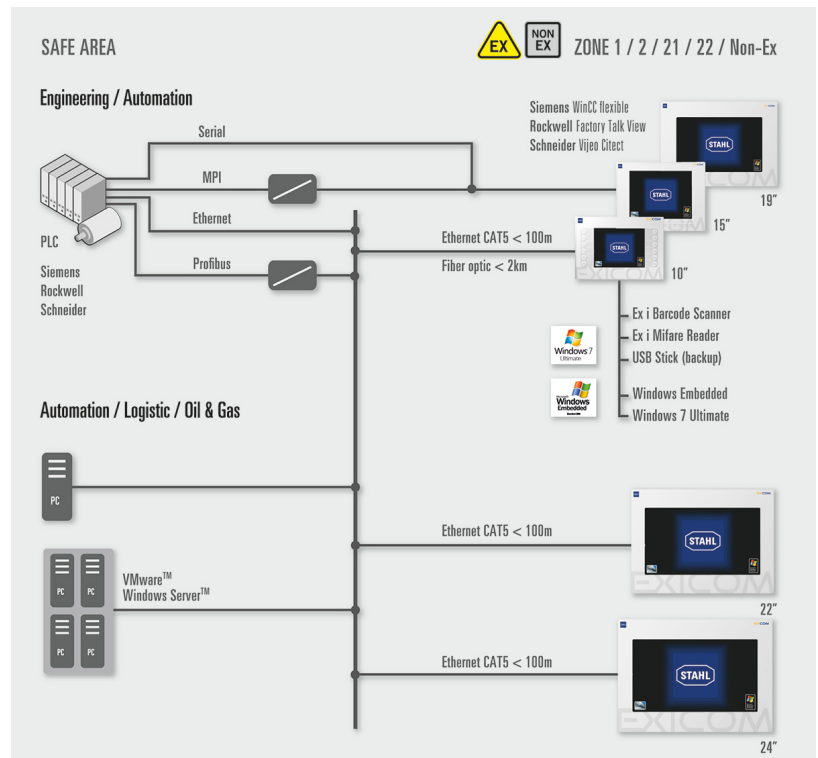
Front side IP66, back side IP65

ET-467 – 22" (1680 x 1050)

NO. DS200640140105 | EN
2014 | V 01.02.11



Operating Principle



ET-467 – 22" (1680 x 1050)

NO. DS200640140105 | EN
2014 | V 01.02.11



Technical Data

Mounting design	Front panel mounting
Display	56 cm (22") TFT color display 16.7 million colors WSXGA+ 1680 x 1050 Aspect ratio 16:10 Brightness 250 cd/m ² Contrast 1000:1 5 wire resistive touch screen optional
Backlighting	LED technology Service life 50,000 h at +20 °C [-4 °F]
Display function keys	-
External keyboard	Yes (optional), 107 keys, incl. trackball / joystick / mouse / touch pad (Ex ia)
Processor	ATOM 1.6 GHz
RAM	1 / 2 GB
Memory	4 / 16 GB, 128 GB MLC / SLC (Solid State Card)
Memory upgrade optional	Hard drive EXICOM-SHD-xxx 100 GB
Operating system	Windows XP Embedded MUI Windows 7 MUI
Standard Software	WinCC flexible, IFix, RSView (for more software solutions, please refer to the homepage)
Interfaces	1 x Ethernet 10/100BaseTx (Ex e) or FO 100BaseFx, 100 Mbit (Ex op is) 2 x USB (Ex ia) 1 x USB (Ex e) 2 x USB (Ex ia) (keyboard, pointing device) 1 x RS-232 (Ex e) 1 x Audio line out (Ex e) Optional interfaces 1 x ReaderBox for card reader / barcode scanner WLAN via USB (Ex e)
Dimensions (W x H x D)	660 x 475 x 110 mm (23.62 x 18.70 x 4.33")
Cutout	615 x 435 (+/- 0.5) mm (24.21 x 17.12 (+/- 0.02)")
Mounting position	horizontal / vertical
Weight	32 kg (70,55 lbs)
Power supply	24 VDC (max. = 3 A) 100 - 240 VAC (max. = 1 A)
Permissible ambient temperature ranges	Operation -20 °C up to +60 °C [-4 °F ... +140 °F] Permanent operation -20 °C up to +50 °C [-4 °F ... +122 °F] Operation with heater version O30* -30 °C up to +50 °C [-22 °F ... +122 °F] Storage -30 °C up to +70 °C [-22 °F ... +158 °F] * The O30 version is only available for the AC version devices !
Heat dissipation	approx. 40 % through front plate, approx. 60 % through back side
Relative humidity	10 up to 90 % at +40 °C [+104 °F], non condensing
Material front side	Aluminum front plate, glass, optional glass touch screen or polyester touch screen
Material back side	Galvanized sheet steel
Ingress protection	Front side IP66, back side IP65

ET-467 – 22" (1680 x 1050)

NO. DS200640140105 | EN
2014 | V 01.02.11

