

## 26 Series

### Stainless Steel 2-way Full Port Ball Valve

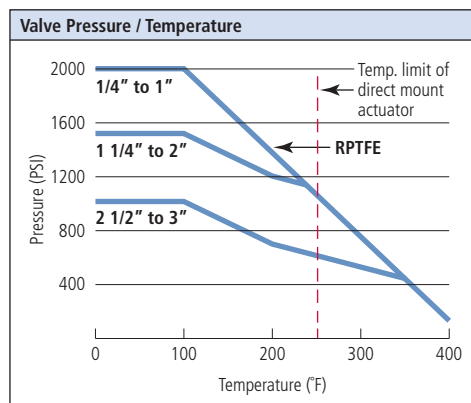
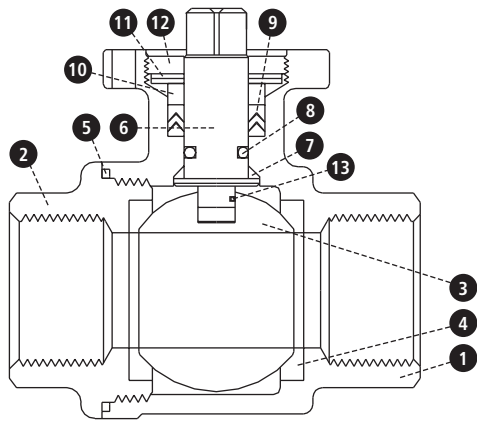


The 26 is a full port, 316 stainless steel, NPT threaded end automated ball valve. It can be equipped with a manual handle or with direct mount pneumatic or electric actuators. The direct mount actuators eliminate the valve-actuator mounting kit, which adds unnecessary height and expense.

A full range of accessory items are available including limit switches, solenoid valves, positioners and manual override devices.

#### FEATURES

- Silicone free.
- Full port for unobstructed flow.
- Investment cast 2-piece body.
- Live-loaded pyramidal stem seal design.
- Blow-out proof stem.
- High cycle stem design.
- Integrated mounting pad for actuators.
- Compact assembly.
- Complete line of accessories.



#### ACTUATOR CONFIGURATIONS

- Electric.
- Pneumatic (spring return).
- Pneumatic (double acting).
- Manual handle.

#### PRESSURE RANGE

- 29 inHg vacuum to 2000 PSI: 1/4" to 1"
- 29 inHg vacuum to 1500 PSI: 1-1/4" to 2"
- 29 inHg vacuum to 1000 PSI: 2-1/2" to 3"

#### TEMPERATURE RANGE

-30°F to 400°F

#### TYPICAL APPLICATIONS

- Air drying equipment.
- Sterilizers and autoclaves.
- Pollution control equipment.
- Process control applications.
- Laundry equipment.
- Textile dyeing and drying.
- Bottling and dispensing.
- Ink and paint dispensing.

#### MATERIALS OF CONSTRUCTION

Part	Qty.	Description	Standard Material
1	1	Body	1.4408 or 1.0619
2	2	End Cap	1.4408 or 1.0619
3	1	Ball	316 Stainless Steel
4	2	Seat	RPTFE
5	2	Body Gasket	PTFE
6	1	Stem	316 Stainless Steel
7	1	Pyramidal Stem Seal	PTFE
8	1	O-Ring	Viton®
9	varies	V-Ring Stem Packing	PTFE
10	1	Gland	304 Stainless Steel
11	2	Belleville Washer	301 Stainless Steel
12	1	Disc Plate	304 Stainless Steel
13	2	Anti-Static Device	316 Stainless Steel

#### CV FACTORS

Size	CV
1/4"	13
3/8"	13
1/2"	23
3/4"	70
1"	116
1-1/4"	151
1-1/2"	197
2"	325

# 26 Series

## Stainless Steel 2-way Full Port Ball Valve (Cutaway View)

### PARTS & FEATURES

**Stem:** The 26 sturdy blow-out proof stem is designed for direct mounting of actuator that meets ISO5211 specifications. Stem top is drilled for optional installation of handle for manual operation.

**Mounting Pad:** Two sets of ISO5211 mounting patterns are available to accommodate a great range of actuators. Machined flat surface ensures correct alignment of actuator to the stem top for minimum side loading during operation.

**Ball:** Precision machined and polished to a mirror finish for bubble tight shut-off. Each Ball is designed to have minimum torque and provides high cycle life.

### HIGH CYCLE STEM DESIGN FEATURES

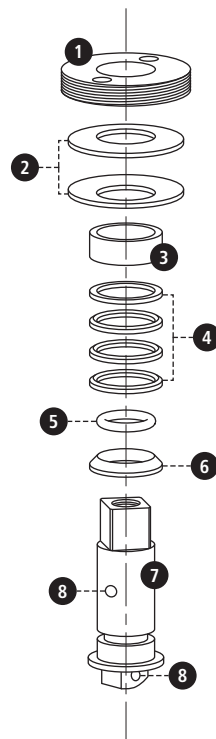
- **Live Loading Stem Sealing (Disc Plate and Belleville Washer):** The disc plate uniformly compresses the pair of Belleville washers to store energy for live loading. Live loading extends the time required between maintenance. During high cycle operation, the system works independently to maintain sealing integrity.
- **Independent Stem Rotation:** The rotational movement of the stem is independent of disc plate and Belleville washers (the live loading system). The action of stem rotation does not disrupt the sealing tightness of the disc plate.
- **Anti-Static Device:** To eliminate the possibility of static electrical charges within the valve, two grounding connections are set in the stem to ensure electrical continuity for the entire ball valve.

Three stages of stem sealing for effective control of stem leakage:

- **Pyramidal Body and Stem Seal (1st Stage):** Internal pressure of the valve pushes the pyramidal stem sealing upward. Because of its shape, the sealing expands to fill all the air pockets that might become a potential leakage path in the lower stem area.
- **Viton® O-Ring (2nd Stage):** The elastic nature of the Viton® O-Ring serves as an effective sealing for gaseous medium that might escape the 1st stage sealing.
- **V-Ring Stem Packing (3rd Stage):** Live loading action of the Bellville washer expands the V-Ring stem packing, filling all the air pockets in the outer stem area. It effectively seals internal media within as well as keeping external media from entering the system.

**Seat and Gasket Set:** The 26 ball seat is set inside our heavy-duty gasket ensuring sealing integrity of the valve body. Elasticity of the seat-gasket union enables a bubble tight shut-off at every level of rated pressure range.

**Body:** Two-piece design.

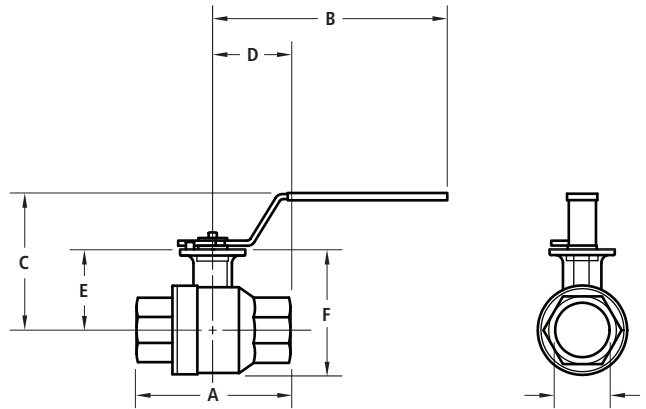


### PARTS

1. Disc Plate
2. Belleville Washers
3. Gland
4. V-Ring Stem Packing
5. O-Ring
6. Pyramidal Stem Seal
7. Stem
8. Anti-Static Device

## 26NRXM Series

Stainless steel 2-way full port ball valve with manual handle  
(Threaded end connection, 2 piece body)



### DIMENSIONS, WEIGHTS & SPECIFICATIONS

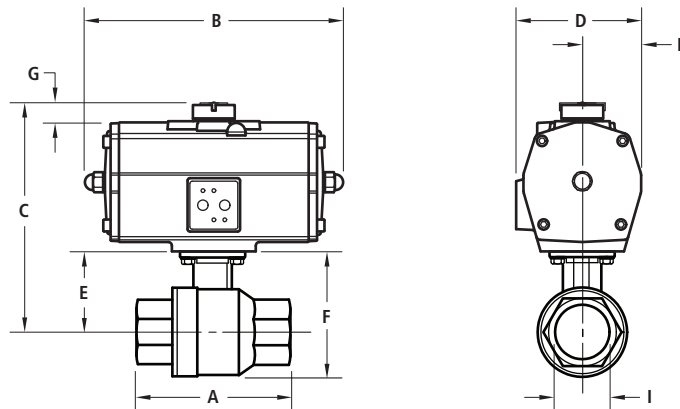
Size	A	B	C	D	E	F	I	Wt. (lbs.)	Model No.
1/4"	2.56	5.14	3.00	1.28	1.65	2.42	.250	1.2	A26NRXM
3/8"	2.56	5.14	3.00	1.28	1.65	2.42	.375	1.2	B26NRXM
1/2"	2.95	5.14	3.00	1.47	1.65	2.42	.500	1.2	C26NRXM
3/4"	3.15	5.14	3.16	1.57	1.77	2.65	.750	1.4	D26NRXM
1"	3.54	7.50	3.75	1.77	2.05	3.13	1.00	2.8	E26NRXM
1-1/4"	4.33	7.50	3.75	2.16	2.28	3.55	1.25	3.7	F26NRXM
1-1/2"	4.72	8.10	4.54	2.36	2.68	4.25	1.50	5.8	G26NRXM
2"	5.51	8.10	4.54	2.75	3.03	4.92	2.00	8.8	H26NRXM
3"	8.07	11.85	6.72	4.03	4.37	7.25	3.00	12.5	J26NRXM

### 26 VALVE FEATURES

- Full port 316 stainless steel body and ball.
- RPTFE seats and seals.
- NPT threaded end connection.
- Temperature range: -30°F to 400°F.
- Pressure range: 29 inHg vacuum to 2000 PSI: 1/4" to 1",  
29 inHg vacuum to 1500 PSI: 1-1/4" to 2",  
29 inHg vacuum to 1000 PSI: 2-1/2" to 3".

## 26NRXEDA Series

Stainless steel 2-way full port ball valve with double acting pneumatic actuator  
(Threaded end connection, 2 piece body, actuators are sized for 300 PSI pressure differential)



### DIMENSIONS, WEIGHTS & SPECIFICATIONS

Size	A	B	C	D	E	F	G	H	I	Actuator	Wt. (lbs.)	Model No.
<b>80 psig Minimum Actuator Air Supply = 8D</b>												
1/4"	2.56	6.26	5.59	3.26	1.65	2.42	.79	1.46	.250	ED25	4.0	A26NRXE8D
3/8"	2.56	6.26	5.59	3.26	1.65	2.42	.79	1.46	.375	ED25	4.0	B26NRXE8D
1/2"	2.95	6.26	5.59	3.26	1.65	2.42	.79	1.46	.500	ED25	4.1	C26NRXE8D
3/4"	3.15	6.26	5.71	3.26	1.77	2.65	.79	1.46	.750	ED25	4.3	D26NRXE8D
1"	3.54	6.26	5.99	3.26	2.05	3.13	.79	1.46	1.00	ED25	5.7	E26NRXE8D
1-1/4"	4.33	7.09	6.73	3.78	2.28	3.55	.79	1.70	1.25	ED40	7.7	F26NRXE8D
1-1/2"	4.72	7.09	7.13	3.78	2.68	4.25	.79	1.70	1.50	ED40	9.8	G26NRXE8D
2"	5.51	7.83	7.95	4.19	3.03	4.92	.79	1.93	2.00	ED65	14.1	H26NRXE8D
3"	8.07	11.14	10.79	5.39	4.37	7.25	.79	2.52	3.00	ED200	25.3	J26NRXE8D
<b>60 psig Minimum Actuator Air Supply = 6D</b>												
1/4"	2.56	6.26	5.59	3.26	1.65	2.42	.79	1.46	.250	ED25	4.0	A26NRXE6D
3/8"	2.56	6.26	5.59	3.26	1.65	2.42	.79	1.46	.375	ED25	4.0	B26NRXE6D
1/2"	2.95	6.26	5.59	3.26	1.65	2.42	.79	1.46	.500	ED25	4.1	C26NRXE6D
3/4"	3.15	6.26	5.71	3.26	1.77	2.65	.79	1.46	.750	ED25	4.3	D26NRXE6D
1"	3.54	6.26	6.50	3.78	2.05	3.13	.79	1.70	1.00	ED40	6.8	E26NRXE6D
1-1/4"	4.33	7.09	6.73	3.78	2.28	3.55	.79	1.70	1.25	ED40	7.7	F26NRXE6D
1-1/2"	4.72	7.83	7.60	4.19	2.68	4.25	.79	1.93	1.50	ED65	11.0	G26NRXE6D
2"	5.51	8.70	8.43	4.60	3.03	4.92	.79	2.12	2.00	ED100	15.6	H26NRXE6D
3"	8.07	11.14	10.79	5.39	4.37	7.25	.79	2.52	3.00	ED200	25.3	J26NRXE6D

### 26 VALVE FEATURES

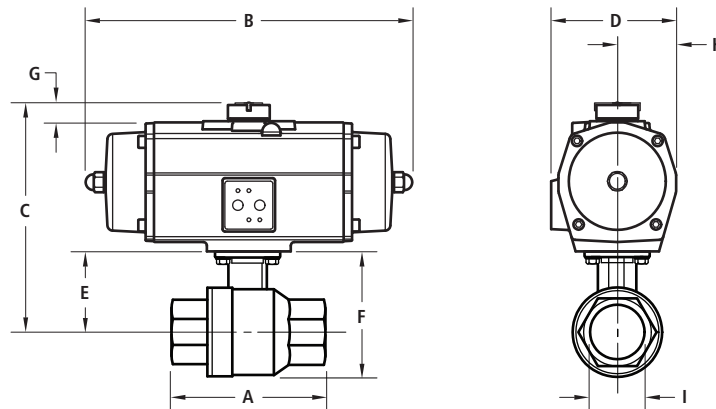
- Full port 316 stainless steel body and ball.
- RPTFE seats and seals.
- NPT threaded end connection.
- Temperature range: -30°F to 400°F.
- Pressure range: 29 inHg vacuum to 2000 PSI: 1/4" to 1",  
29 inHg vacuum to 1500 PSI: 1-1/4" to 2",  
29 inHg vacuum to 1000 PSI: 2-1/2" to 3".

### PNEUMATIC ACTUATOR FEATURES

- E Series double acting rack and pinion actuator.
- Corrosion resistant coating.
- NAMUR solenoid mounting pad, ISO 5211 mounting standard.
- Visual position indicators.
- High duty cycle.
- Permanent lubrication.
- Temperature range: -4°F to 175°F.

## 26NRXESR Series

Stainless steel 2-way full port ball valve with spring return pneumatic actuator  
(Threaded end connection, 2 piece body, actuators are sized for 300 PSI pressure differential)



### DIMENSIONS, WEIGHTS & SPECIFICATIONS

Size	A	B	C	D	E	F	G	H	I	Actuator	Wt. (lbs.)	Model No.
<b>80 psig Minimum Actuator Air Supply = 85</b>												
1/4"	2.56	6.77	5.59	3.26	1.65	2.42	.79	1.46	.250	ES25-4	4.9	A26NRXE8S
3/8"	2.56	6.77	5.59	3.26	1.65	2.42	.79	1.46	.375	ES25-4	4.9	B26NRXE8S
1/2"	2.95	6.77	5.59	3.26	1.65	2.42	.79	1.46	.500	ES25-4	4.9	C26NRXE8S
3/4"	3.15	6.77	5.71	3.78	1.77	2.65	.79	1.46	.750	ES25-4	5.1	D26NRXE8S
1"	3.54	8.03	6.50	3.78	2.05	3.13	.79	1.46	1.00	ES40-4	8.0	E26NRXE8S
1-1/4"	4.33	8.03	6.73	3.78	2.28	3.55	.79	1.70	1.25	ES40-4	9.0	F26NRXE8S
1-1/2"	4.72	9.80	7.60	4.19	2.68	4.25	.79	1.70	1.50	ES65-4	13.7	G26NRXE8S
2"	5.51	14.17	9.45	5.39	3.03	4.92	.79	1.93	2.00	ES200-4	28.9	H26NRXE8S
3"	8.07	15.24	12.29	7.12	4.37	7.25	.79	2.52	3.00	ES350-4	49.8	J26NRXE8S
<b>60 psig Minimum Actuator Air Supply = 65</b>												
1/4"	2.56	5.12	5.59	3.26	1.65	2.42	.79	1.46	.250	ES25-4	4.9	A26NRXE6S
3/8"	2.56	5.12	5.59	3.26	1.65	2.42	.79	1.46	.375	ES25-4	4.9	B26NRXE6S
1/2"	2.95	5.12	5.59	3.26	1.65	2.42	.79	1.46	.500	ES25-4	4.9	C26NRXE6S
3/4"	3.15	8.03	6.22	3.78	1.77	2.65	.79	1.46	.750	ES40-4	6.8	D26NRXE6S
1"	3.54	9.80	6.97	4.19	2.05	3.13	.79	1.70	1.00	ES65-4	10.7	E26NRXE6S
1-1/4"	4.33	9.80	7.20	4.19	2.28	3.55	.79	1.70	1.25	ES65-4	11.6	F26NRXE6S
1-1/2"	4.72	10.51	8.12	4.60	2.68	4.25	.79	1.93	1.50	ES100-4	15.9	G26NRXE6S
2"	5.51	14.17	9.45	5.39	3.03	4.92	.79	2.12	2.00	ES200-4	28.9	H26NRXE6S
3"	8.07	15.24	12.29	7.12	4.37	7.25	.79	2.52	3.00	ES350-4	49.8	J26NRXE6S

### 26 VALVE FEATURES

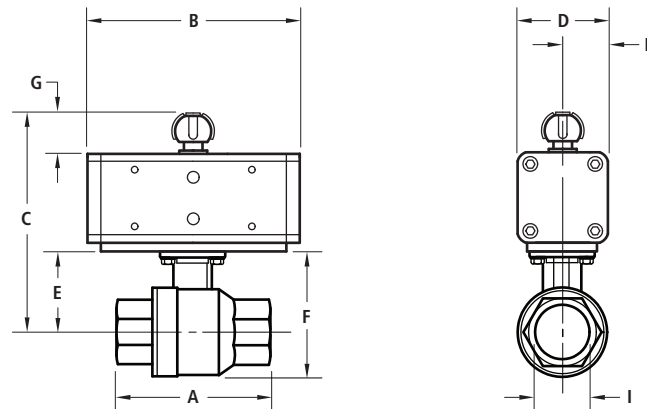
- Full port 316 stainless steel body and ball.
- RPTFE seats and seals.
- NPT threaded end connection.
- Temperature range: -30°F to 400°F.
- Pressure range: 29 inHg vacuum to 2000 PSI: 1/4" to 1",  
29 inHg vacuum to 1500 PSI: 1-1/4" to 2",  
29 inHg vacuum to 1000 PSI: 2-1/2" to 3".

### PNEUMATIC ACTUATOR FEATURES

- E Series spring return rack and pinion actuator.
- Corrosion resistant coating.
- NAMUR solenoid mounting pad, ISO 5211 mounting standard.
- Visual position indicators.
- High duty cycle.
- Permanent lubrication.
- Temperature range: -4°F to 175°F.

# 26NRXODA Series

Stainless steel 2-way full port ball valve with double acting pneumatic actuator  
(Threaded end connection, 2 piece body, actuators are sized for 300 PSI pressure differential)



## DIMENSIONS, WEIGHTS & SPECIFICATIONS

Size	A	B	C	D	E	F	G	H	I	Actuator	Wt. (lbs.)	Model No.
<b>80 psig Minimum Actuator Air Supply = 8D</b>												
1/4"	2.56	5.12	4.80	2.16	1.65	2.42	.79	1.08	.250	PD030	3.3	A26NRX08D
3/8"	2.56	5.12	4.80	2.16	1.65	2.42	.79	1.08	.375	PD030	3.3	B26NRX08D
1/2"	2.95	5.12	4.80	2.16	1.65	2.42	.79	1.08	.500	PD030	3.4	C26NRX08D
3/4"	3.15	5.12	5.31	2.16	1.77	2.65	.79	1.08	.750	PD030	3.7	D26NRX08D
1"	3.54	5.67	5.42	2.36	2.05	3.13	.79	1.18	1.00	PD045	5.5	E26NRX08D
1-1/4"	4.33	5.67	5.65	2.36	2.28	3.55	.79	1.18	1.25	PD045	6.5	F26NRX08D
1-1/2"	4.72	6.65	6.52	2.83	2.68	4.25	.79	1.41	1.50	PD090	9.8	G26NRX08D
2"	5.51	6.65	6.87	2.83	3.03	4.92	.79	1.41	2.00	PD090	12.9	H26NRX08D
3"	8.07	8.35	9.33	3.54	4.37	7.25	1.18	1.77	3.00	PD180	20.0	J26NRX08D
<b>60 psig Minimum Actuator Air Supply = 6D</b>												
1/4"	2.56	5.12	4.80	2.16	1.65	2.42	.79	1.08	.250	PD030	3.3	A26NRX06D
3/8"	2.56	5.12	4.80	2.16	1.65	2.42	.79	1.08	.375	PD030	3.3	B26NRX06D
1/2"	2.95	5.12	4.80	2.16	1.65	2.42	.79	1.08	.500	PD030	3.4	C26NRX06D
3/4"	3.15	5.12	5.31	2.16	1.77	2.65	.79	1.08	.750	PD030	3.7	D26NRX06D
1"	3.54	5.67	5.42	2.36	2.05	3.13	.79	1.18	1.00	PD045	5.5	E26NRX06D
1-1/4"	4.33	5.98	5.82	2.56	2.28	3.55	.79	1.28	1.25	PD060	7.1	F26NRX06D
1-1/2"	4.72	6.65	6.52	2.83	2.68	4.25	.79	1.41	1.50	PD090	9.8	G26NRX06D
2"	5.51	7.24	7.59	3.15	3.03	4.92	1.18	1.57	2.00	PD120	15.0	H26NRX06D
3"	8.07	9.53	9.72	3.94	4.37	7.25	1.18	1.97	3.00	PD240	24.2	J26NRX06D

### 26 VALVE FEATURES

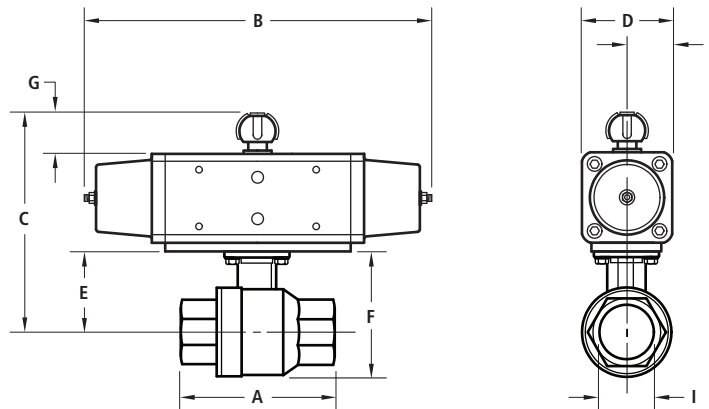
- Full port 316 stainless steel body and ball.
- RPTFE seats and seals.
- NPT threaded end connection.
- Temperature range: -30°F to 400°F.
- Pressure range: 29 inHg vacuum to 2000 PSI: 1/4" to 1",  
29 inHg vacuum to 1500 PSI: 1-1/4" to 2",  
29 inHg vacuum to 1000 PSI: 2-1/2" to 3".

### PNEUMATIC ACTUATOR FEATURES

- O Series double acting pneumatic actuator.
- Corrosion resistant coating.
- NAMUR solenoid mounting pad, ISO 5211 mounting standard.
- Visual position indicators.
- High duty cycle.
- Permanent lubrication.
- Temperature range: -4°F to 175°F.

# 26NRXOSR Series

Stainless steel 2-way full port ball valve with spring return pneumatic actuator  
(Threaded end connection, 2 piece body, actuators are sized for 300 PSI pressure differential)



## DIMENSIONS, WEIGHTS & SPECIFICATIONS

Size	A	B	C	D	E	F	G	H	I	Actuator	Wt. (lbs.)	Model No.
<b>80 psig Minimum Actuator Air Supply = 85</b>												
1/4"	2.56	8.71	4.88	2.16	1.65	2.42	.79	1.08	.250	PS015	4.1	A26NRX08S
3/8"	2.56	8.71	4.88	2.16	1.65	2.42	.79	1.08	.375	PS015	4.1	B26NRX08S
1/2"	2.95	8.71	4.88	2.16	1.65	2.42	.79	1.08	.500	PS015	4.1	C26NRX08S
3/4"	3.15	9.45	5.31	2.56	1.77	2.65	.79	1.28	.750	PS030	5.9	D26NRX08S
1"	3.54	11.58	5.89	2.83	2.05	3.13	.79	1.41	1.00	PS045	8.1	E26NRX08S
1-1/4"	4.33	11.58	6.12	2.83	2.28	3.55	1.18	1.41	1.25	PS045	9.0	F26NRX08S
1-1/2"	4.72	12.60	7.24	3.15	2.68	4.25	1.18	1.57	1.50	PS060	13.4	G26NRX08S
2"	5.51	14.06	7.99	3.54	3.03	4.92	1.18	1.77	2.00	PS090	18.9	H26NRX08S
3"	8.07	17.18	10.19	4.41	4.37	7.25	1.18	2.20	3.00	PS180	33.2	J26NRX08S
<b>60 psig Minimum Actuator Air Supply = 65</b>												
1/4"	2.56	9.45	5.19	2.56	1.65	2.42	.79	1.28	.250	PS030	5.5	A26NRX06S
3/8"	2.56	9.45	5.19	2.56	1.65	2.42	.79	1.28	.375	PS030	5.5	B26NRX06S
1/2"	2.95	9.45	5.19	2.56	1.65	2.42	.79	1.28	.500	PS030	5.6	C26NRX06S
3/4"	3.15	9.45	5.31	2.56	1.77	2.65	.79	1.28	.750	PS030	5.9	D26NRX06S
1"	3.54	12.60	6.61	3.15	2.05	3.13	1.18	1.57	1.00	PS060	10.4	E26NRX06S
1-1/4"	4.33	12.60	6.84	3.15	2.28	3.55	1.18	1.57	1.25	PS060	11.4	F26NRX06S
1-1/2"	4.72	14.06	7.64	3.54	2.68	4.25	1.18	1.77	1.50	PS090	15.9	G26NRX06S
2"	5.51	14.65	8.38	3.94	3.03	4.92	1.18	1.97	2.00	PS120	23.5	H26NRX06S
3"	8.07	18.12	10.67	4.91	4.37	7.25	1.18	2.27	3.00	PS240	36.7	J26NRX06S

### 26 VALVE FEATURES

- Full port 316 stainless steel body and ball.
- RPTFE seats and seals.
- NPT threaded end connection.
- Temperature range: -30°F to 400°F.
- Pressure range: 29 inHg vacuum to 2000 PSI: 1/4" to 1",  
29 inHg vacuum to 1500 PSI: 1-1/4" to 2",  
29 inHg vacuum to 1000 PSI: 2-1/2" to 3".

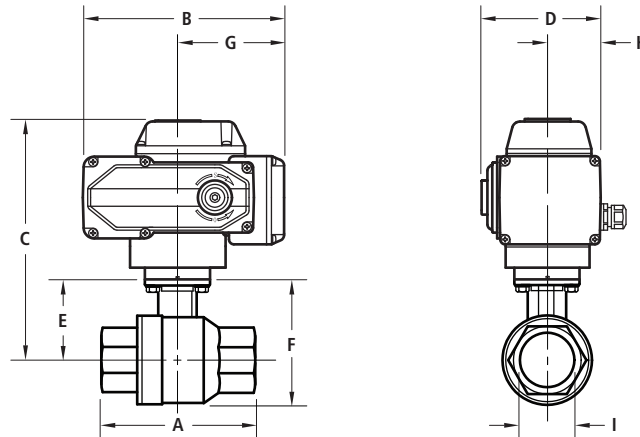
### PNEUMATIC ACTUATOR FEATURES

- O Series spring return pneumatic actuator.
- Corrosion resistant coating.
- NAMUR solenoid mounting pad, ISO 5211 mounting standard.
- Visual position indicators.
- High duty cycle.
- Permanent lubrication.
- Temperature range: -4°F to 175°F.

## 26NRXK4 Series

Stainless steel 2-way full port ball valve with electric actuator, NEMA 4, 4X

(Threaded end connection, 2 piece body, actuators are sized for 300 PSI pressure differential)



### DIMENSIONS, WEIGHTS & SPECIFICATIONS

Size	A	B	C	D	E	F	G	H	I	Actuator	Wt. (lbs.)	Model No.
1/4"	2.56	8.17	8.09	4.82	1.65	2.42	4.43	2.14	.250	KOUNIC10A-ISO	11.1	A26NRXK4A
3/8"	2.56	8.17	8.09	4.82	1.65	2.42	4.43	2.14	.375	KOUNIC10A-ISO	11.1	B26NRXK4A
1/2"	2.95	8.17	8.09	4.82	1.65	2.42	4.43	2.14	.500	KOUNIC10A-ISO	11.2	C26NRXK4A
3/4"	3.15	8.17	8.21	4.82	1.77	2.65	4.43	2.14	.750	KOUNIC10A-ISO	11.4	D26NRXK4A
1"	3.54	8.17	8.49	4.82	2.05	3.13	4.43	2.14	1.00	KOUNIC10A-ISO	12.8	E26NRXK4A
1-1/4"	4.33	8.17	8.72	4.82	2.28	3.55	4.43	2.14	1.25	KOUNIC10A-ISO	13.7	F26NRXK4A
1-1/2"	4.72	8.17	9.12	4.82	2.68	4.25	4.43	2.14	1.50	KOUNIC10A-ISO	15.8	G26NRXK4A
2"	5.51	8.17	9.47	4.82	3.03	4.92	4.43	2.14	2.00	KOUNIC10A-ISO	18.8	H26NRXK4A
3"	8.07	10.10	11.65	6.16	4.37	7.25	5.23	2.46	3.00	KOUNIC20A-ISO	30.5	J26NRXK4A

### 26 VALVE FEATURES

- Full port 316 stainless steel body and ball.
- RPTFE seats and seals.
- NPT threaded end connection.
- Temperature range: -30°F to 400°F.
- Pressure range: 29 inHg vacuum to 2000 PSI: 1/4" to 1",  
29 inHg vacuum to 1500 PSI: 1-1/4" to 2",  
29 inHg vacuum to 1000 PSI: 2-1/2" to 3".

### ELECTRIC ACTUATOR FEATURES

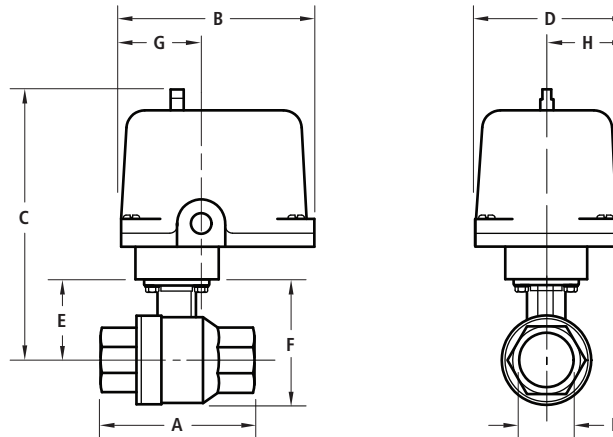
- K Series electric actuator.
- Most voltages available.
- Quarter turn: 0-90° rotation.
- NEMA 4/4X certified by UL labs.
- ISO 5211 mounting standard.
- Visual position indicators.
- Self-locking drive train.
- Mounts in any direction.
- 1/2" NPT conduit connection.
- CSA-NRTL/C and CE certified.
- Temperature range: 0°F to 160°F.



## 26NRXR4 Series

Stainless steel 2-way full port ball valve with electric actuator, NEMA 4, 4X

(Threaded end connection, 2 piece body, actuators are sized for 300 PSI pressure differential)



### DIMENSIONS, WEIGHTS & SPECIFICATIONS

Size	A	B	C	D	E	F	G	H	I	Actuator	Wt. (lbs.)	Model No.
1/4"	2.56	5.95	7.70	4.40	1.65	2.42	2.48	2.20	.250	R150 (5 sec.)	5.1	A26NRXR4⊙
3/8"	2.56	5.95	7.70	4.40	1.65	2.42	2.48	2.20	.375	R150 (5 sec.)	5.1	B26NRXR4⊙
1/2"	2.95	5.95	7.70	4.40	1.65	2.42	2.48	2.20	.500	R150 (5 sec.)	5.2	C26NRXR4⊙
3/4"	3.15	5.95	7.82	4.40	1.77	2.65	2.48	2.20	.750	R150 (5 sec.)	5.4	D26NRXR4⊙
1"	3.54	5.95	8.10	4.40	2.05	3.13	2.48	2.20	1.00	R300 (9 sec.)	8.8	E26NRXR4⊙
1-1/4"	4.33	5.95	8.33	4.40	2.28	3.55	2.48	2.20	1.25	R300 (9 sec.)	9.7	F26NRXR4⊙
1-1/2"	4.72	5.95	8.73	4.40	2.68	4.25	2.48	2.20	1.50	R600 (16 sec.)	11.8	G26NRXR4⊙
2"	5.51	5.95	9.08	4.40	3.03	4.92	2.48	2.20	2.00	R600 (16 sec.)	14.8	H26NRXR4⊙
3"	See K Series											

⊙ Voltage: **A** = 120 VAC; **B** = 24 VDC; **F** = 12 VDC.

### 26 VALVE FEATURES

- Full port 316 stainless steel body and ball.
- RPTFE seats and seals.
- NPT threaded end connection.
- Temperature range: -30°F to 400°F.
- Pressure range: 29 inHg vacuum to 2000 PSI: 1/4" to 1",  
29 inHg vacuum to 1500 PSI: 1-1/4" to 2",  
29 inHg vacuum to 1000 PSI: 2-1/2" to 3".

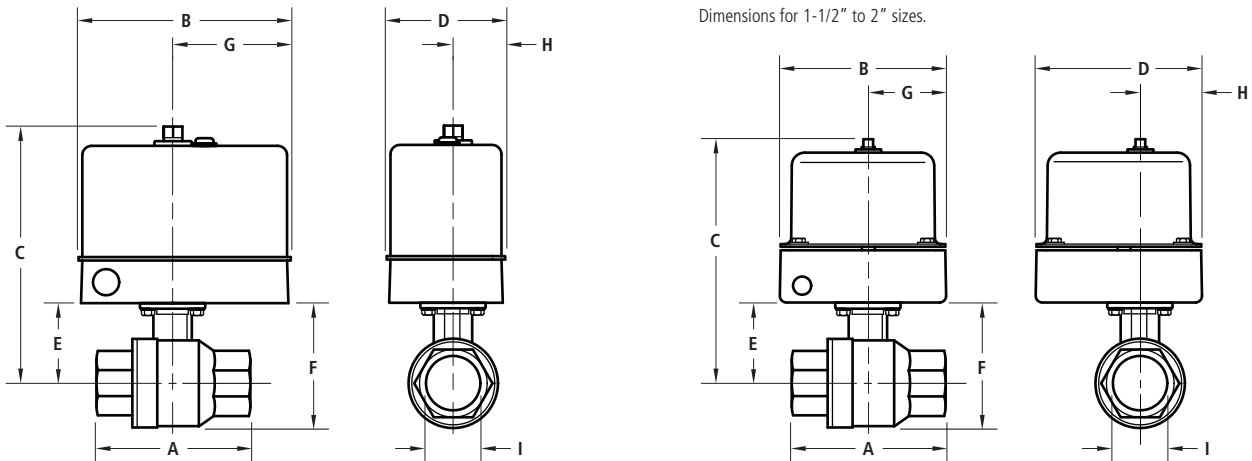
### ELECTRIC ACTUATOR FEATURES

- R Series electric actuator.
- NEMA 4, 4X.
- Voltages available: 120 VAC, 12 VDC, 24 VDC.
- Duty cycle: 25% at 120 VAC, 100% at DC units.
- ISO 5211 universal mounting.
- Manual override.
- Permanent lubrication.
- Visual position indicator.
- Temperature range: 0°F to 150°F.

## 26NRXV4 Series

### Stainless steel 2-way full port ball valve with electric actuator, NEMA 4, 4X

(Threaded end connection, 2 piece body, actuators are sized for 300 PSI pressure differential)



#### DIMENSIONS, WEIGHTS & SPECIFICATIONS

Size	A	B	C	D	E	F	G	H	I	Actuator	Wt. (lbs.)	Model No.
1/4"	2.56	6.50	6.40	3.00	1.65	2.42	3.06	1.38	.250	EV1S1V1	6.2	A26NRXV4⊙
3/8"	2.56	6.50	6.40	3.00	1.65	2.42	3.06	1.38	.375	EV1S1V1	6.2	B26NRXV4⊙
1/2"	2.95	6.50	6.40	3.00	1.65	2.42	3.06	1.38	.500	EV1S1V1	6.2	C26NRXV4⊙
3/4"	3.15	6.50	6.52	3.00	1.77	2.65	3.06	1.38	.750	EV1S1V1	6.4	D26NRXV4⊙
1"	3.54	6.50	6.80	3.00	2.05	3.13	3.06	1.38	1.00	EV3S2V1	7.8	E26NRXV4⊙
1-1/4"	4.33	6.50	7.03	3.00	2.28	3.55	3.06	1.38	1.25	EV3S2V1	8.7	F26NRXV4⊙
1-1/2"	4.72	6.43	9.00	6.43	2.68	4.25	3.01	2.36	1.50	NV6S2V1	16.8	G26NRXV4⊙
2"	5.51	6.43	9.35	6.43	3.03	4.92	3.01	2.36	2.00	NV6S2V1	19.8	H26NRXV4⊙
3"	See K Series											

⊙ Voltage: A = 120 VAC; B = 24 VDC; E = 24 VAC; F = 12 VDC.

#### 26 VALVE FEATURES

- Full port 316 stainless steel body and ball.
- RPTFE seats and seals.
- NPT threaded end connection.
- Temperature range: -30°F to 400°F.
- Pressure range: 29 inHg vacuum to 2000 PSI: 1/4" to 1",  
29 inHg vacuum to 1500 PSI: 1-1/4" to 2",  
29 inHg vacuum to 1000 PSI: 2-1/2" to 3".

#### ELECTRIC ACTUATOR FEATURES

- V Series electric actuator.
- NEMA 4, 4X.
- Voltages available: 120 VAC, 220 VAC, 24 VAC, 12 VDC, 24 VDC.
- Duty cycle: 25% at 120 VAC (EV1), 75% at 120 VAC (EV3, NV6),  
100% at DC units.
- ISO 5211 universal mounting.
- Manual override.
- Permanent lubrication.
- Visual position indicator.
- Temperature range: 0°F to 160°F.