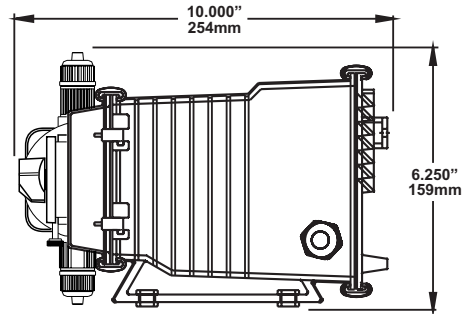
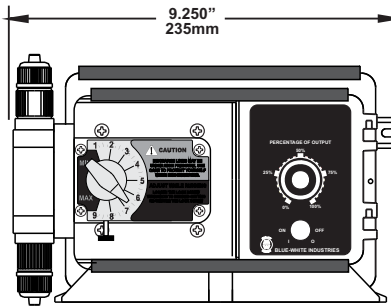
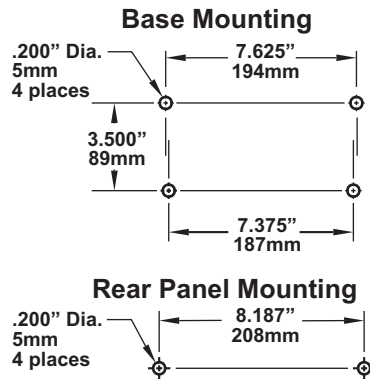




# Blue-White Industries, Ltd.

## CHEM-FEED® Diaphragm Metering Pumps

### Dimensions:



### Model Number Matrix:

**MODEL C 11 F**

<b>Pump system selection</b> C = Pump without tank system T = Pump mounted on STAR-3 tank		<b>Footvalve / Tank Capacity</b> 0 = C-340 1 = C-345 2 = C-340-6T A = 7 Gallons (U.S.) B = 15 Gallons (U.S.) C = 30 Gallons (U.S.)
<b>Output Control</b> V = Digital speed control with external input F = Analog speed control C = Analog timer, 5 sec. Cycle - 100% duty A = Analog timer, 60 sec. Cycle - 100% duty E = Digital batch timer with external input X = No output control - fixed feed rate		<b>Injection Fitting</b> 0 = A-014HD (Polypropylene - 1/2 lb spring) 1 = C-395HD (Polypropylene - 6 lb spring) A = A-014-6T (Teflon - 1/2 lb spring) B = C-395-6T (Teflon - 6 lb spring) C = A-014HDK (PVDF - 1/2 lb spring) D = C-395HDK (PVDF - 6 lb spring)
<b>Maximum Motor RPM</b> 0 = 14 RPM      3 = 60 RPM 1 = 30 RPM      4 = 125 RPM 2 = 45 RPM      5 = 250 RPM		<b>Elastomer Material</b> V = Viton      E = EP
<b>Power Supply (motor protection)</b> 4 = 115V60Hz (TP) 5 = 220V50Hz (TP) 6 = 230V60Hz (TP) 7 = 240V50Hz (TP) TP = Thermal protection		<b>Diaphragm Style</b> 0 = Large Teflon/EP 1 = Large Teflon/Viton 6 = Small Teflon / EP 7 = Small Teflon / EP
<b>Cam Stroke Length</b> 1 = .125"      3 = .187" 2 = .055"      4 = .100"		<b>Pump Head Style</b> 0 = Large Diaphragm 2 = Small Diaphragm 5 = Large Pressure release 7 = Large Diaphragm w/single ball valve
<b>Electrical Options</b> X = Standard Equipment A = Junction box replaces power cord P = Power cord and junction box R = 230V Power cord w/NEMA 6/15 plug Z = Proportional feed system - JBox/Cord		<b>Pump Head Material</b> 0 = Injection molded Polypropylene 4 = Machined Teflon 5 = Machined Acrylic

### Flow rate and pressure capacities:

Max Output at 0 PSI				Strokes Per minute	Max PSI	115V/60Hz		230V/60Hz		220V/50Hz	
GPD	GPH	LPH	OZ/MIN			Model Number	Model Number	Model Number	Model Number		
57.7	2.4	9.1	5.1	60	150	C11F344X000V00	C11F364X000V00	C11F354X000V00			
119.7	4.9	18.9	10.6	125	150	C11F444X000V00	C11F464X000V00	C11F454X000V00			
155.9	6.4	24.6	13.8	125	150	C11F441X000V00	C11F461X000V00	C11F451X000V00			
260.8	10.8	41.1	23.1	250	100	C11F544X000V00	C11F564X000V00	C11F554X000V00			
360.0	15.0	56.8	32.0	250	25	C11F543X000V00	C11F563X000V00	C11F553X000V00			

