

# SOTERA<sup>®</sup>

S Y S T E M S

## 400KTF0237

# Anti-Drip Nozzle Spout

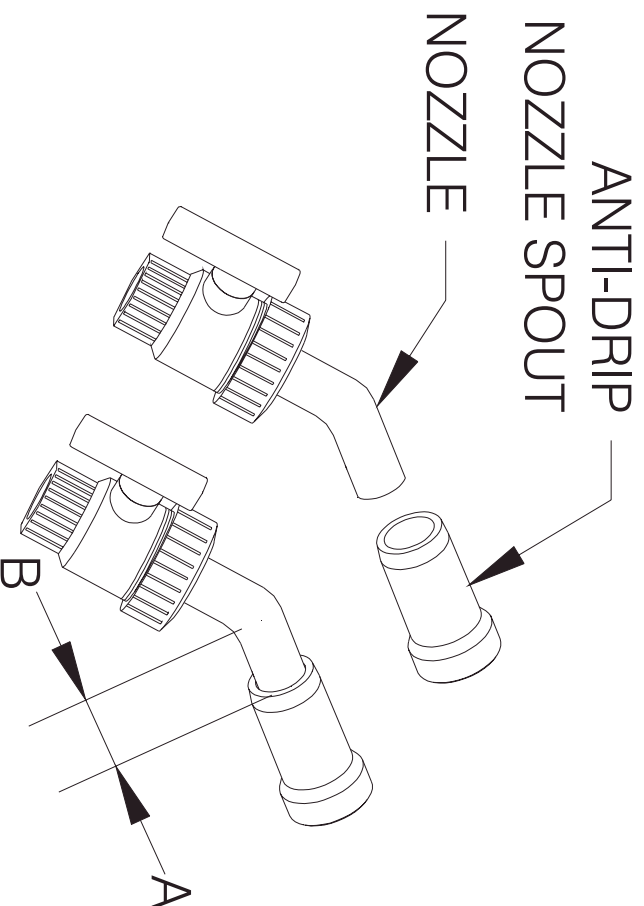
For use with Norwesco and other nozzles with a 1 3/16" outside diameter

### INSTALLATION:

If there is a raised plastic notch on the nozzle, carefully remove it with a file before installing the Anti-Drip Nozzle Spout. Apply soapy water to the end of the nozzle to aid in the installation. Place the **Anti-Drip Nozzle Spout** on the nozzle as shown. Tap on the spout with a rubber mallet until it is fully engaged. The space between the end of the spout (**A**) and the bend on the nozzle (**B**) should be slightly more than 1 3/4" when pressed on fully, as shown.

### USE:

Place the nozzle into the container to be filled **before** turning on the pump. After pumping, shut off the blue handled valve then gently shake the nozzle **before** removing it from the container. The spout will open when it feels a pressure greater than one (1) pound per square inch (p.s.i.). **Flow restriction will be minimal.**



**Sotera Systems**

8825 Aviation Drive  
Fort Wayne, Indiana USA 46809  
Tel 260 747-9060 Fax 260 747-3934

If you have any problems, please call **SOTERA** at (260) 747-9060.