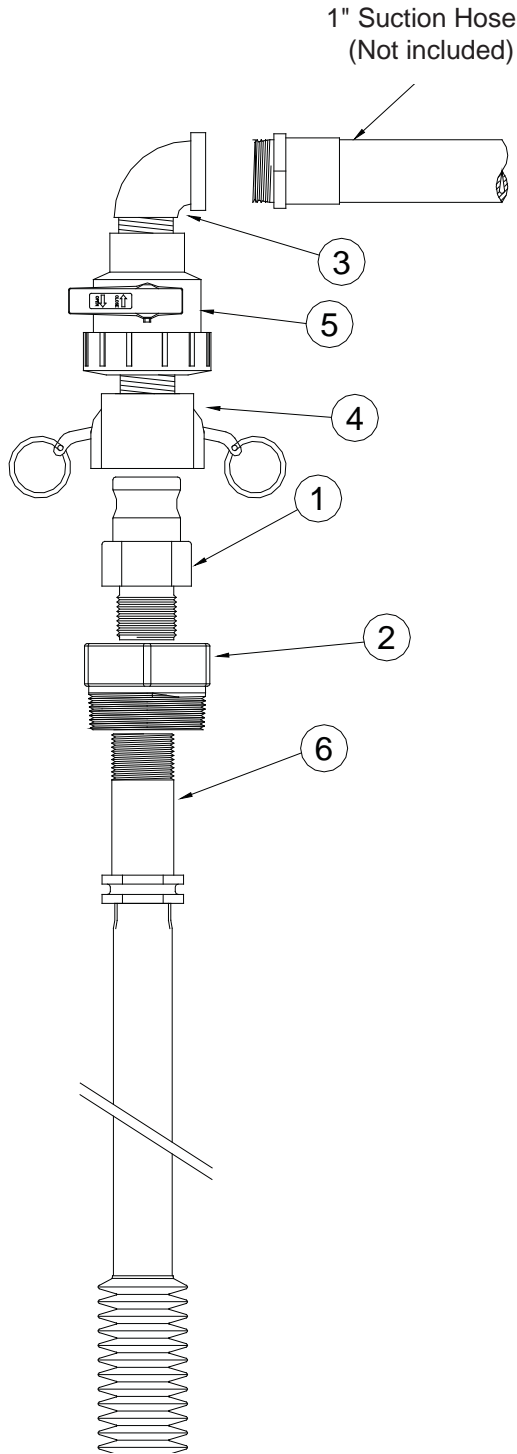


## KIT 400KTG9342 TOP SUCTION ASSEMBLY



	Part No.	Description	Qty.
1	400F3624	Cam Adapter 1"	1
2	100F1175	Bushing double tap 2" x 1"	1
3	400F3619	Street Elbow 1" Poly	1
4	400F3618	Cam Coupling 1"	1
5	400F3622	Valve Ball 1" Poly	1
6	445F1863	Suction Tube with Belows	1
	1200F9121	Teflon <sup>®</sup> Tape	1

### **Assembly Instruction**

1. Use teflon tape or thread sealant on all threaded joints.
2. Install suction tube (item 6) and adapter (item 1) into bushing (item 2) and tighten.
3. Extend suction tube (item 6) to the approximate required length, then install bushing (item 2) on drum.
4. Install other components onto suction hose as shown.

### **Use Instruction**

1. To engage, couple adapter (item 1) together, then open ball valve (item 5).
2. To disengage, close ball valve (item 5) then slowly open coupler (item 4). Allow fluid to drain back into