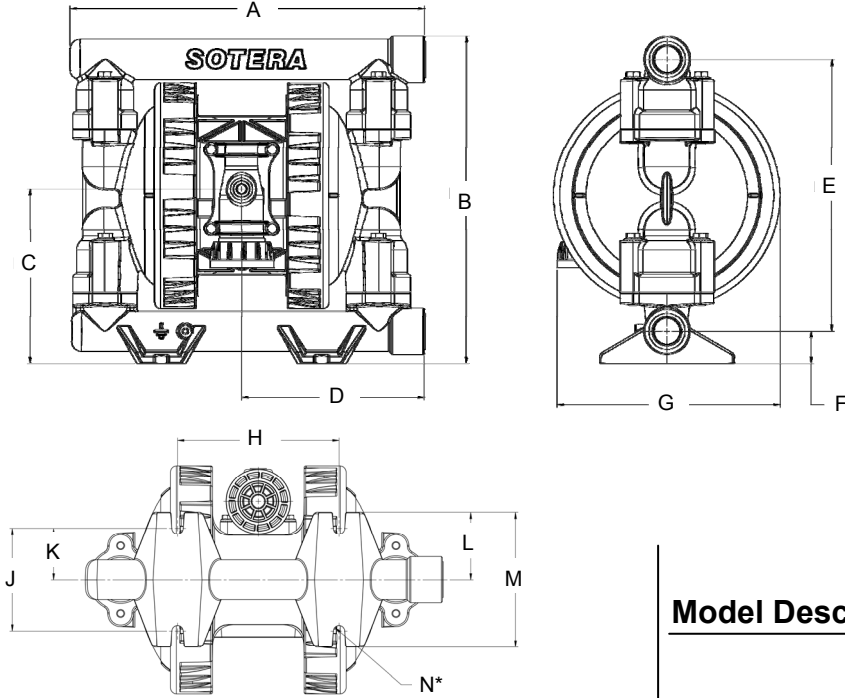


## 1" Air Operated Diaphragm Pump S & E Data Sheet

Model SP100-10X-XX-XXX-X



Dimension	Inches	Metric
A	13.822"	351.08 mm
B	12.765"	342.23 mm
C	6.798"	172.67 mm
D	7.125"	180.98 mm
E	10.610"	269.49 mm
F	1.250"	31.75 mm
G	8.697"	220.90 mm
H	6.250"	158.75 mm
J	4.000"	101.60 mm
K	2.000"	50.80 mm
L	2.625"	66.68 mm
M	5.250"	133.35 mm
N*	.219"	5.56 mm

\*Radius

### Pump Technical Data

**Pump Type:** Metallic Air Operated Double Diaphragm  
**Models:** See Model Description Chart for "-XXX"  
**Construction Materials:** See Model Description Charts  
**Maximum Air Inlet Pressure:** 100 p.s.i.g. (6.9 bar)  
**Maximum Material Inlet Pressure:** 10 p.s.i.g. (.69 bar)  
**Maximum Outlet Pressure:** 100 p.s.i.g. (6.9 bar)  
**Air Consumption (@ 40p.s.i.):** 1.12 cfm / gallon (approx.)  
**Air Connection:** 1/4" NPT  
**Maximum Flow Rate (flooded inlet):** 56-gpm (211 lpm)  
**Displacement / Cycle @ 100p.s.i.g.:** .22 gal. (0.83 lit.)  
**Maximum Particle Size:** 3/16" dia. (4.8 mm)  
**Maximum Temperature Limits (diaphragm / ball / seat material):**  
 Acetal . . . . . -10° to 180° F (-12° to 82° C)  
 HYTREL® . . . . . -20° to 150° F (-29° to 66° C)  
 Polypropylene. . . . . 35° to 175° F (2° to 79° C)  
 Santoprene® . . . . . -40° to 225° F (-40° to 107° C)  
 PTFE . . . . . 40° to 225° F (4° to 107° C)  
**Dimensional Data (box):** 16-1/2"(H) x 17-1/2" (W) x 11-1/4" (D)  
 (metallic pump)  
**Noise Level:** 75.0 db (A) (@ 70 p.s.i., 60 c.p.m.)  
**Weight Information:**

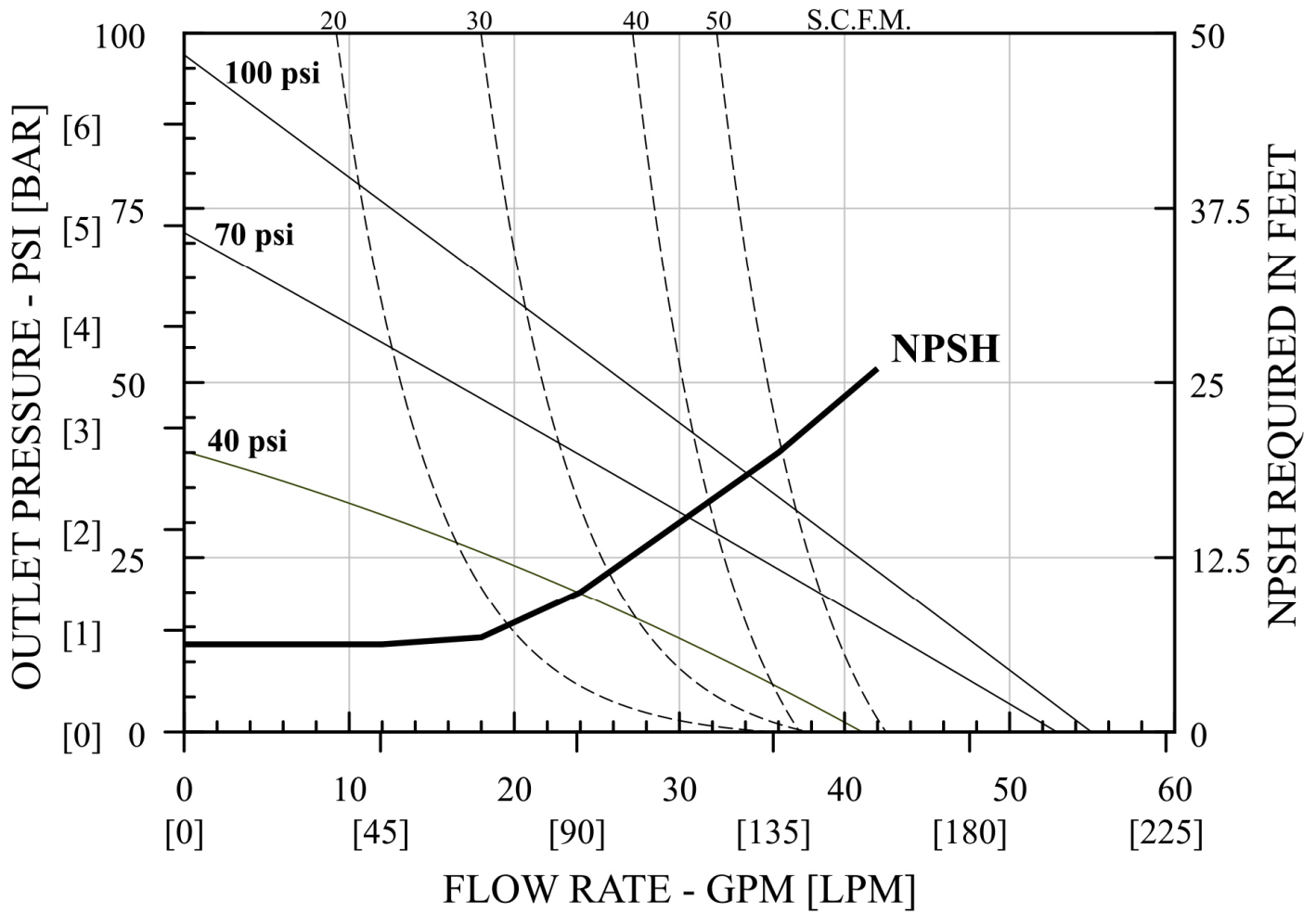
Pump Material	Pump Weight lbs	Pump Weight Kg	Shipping Weight lbs	Shipping Weight Kg
Aluminum	23 lbs.	10.5 Kg.	28 lbs.	12.7 Kg.

### Model Description Information

#### SP100 - 10 X - XX - XXX - X

<b>PORT SIZE</b>									
<b>FLUID CONNECTION</b>									
N - 1"-11.5 NPTF-1									
B - Rp 1" (BSPP)									
<b>DRIVE MATERIAL OF CONSTRUCTION</b>									
P - POLYPROPYLENE									
C - GROUNDABLE NYLON									
<b>WET-END MATERIAL OF CONSTRUCTION</b>									
A - ALUMINUM									
<b>DIAPHRAGM</b>									
S - SANTOPRENE®									
H - HYTREL®									
T - PTFE WITH SANTOPRENE® BACKER									
<b>BALLS</b>									
S - SANTOPRENE®									
H - HYTREL®									
T - PTFE									
<b>SEATS</b>									
S - SANTOPRENE®									
H - HYTREL®									
D-Acetal									
<b>OPTIONS</b>									
<b>FLUID SECTION SERVICE KIT</b>									
DIAPHRAGM									
BALLS									
SEATS									

# SP100-10X-XX-XXX



## ACCESSORIES

The following accessories are available to customize your SP100 Air Operated Diaphragm Pump. Contact your Sotera Representative if you have questions, or would like to order any of the accessories listed below.

Part #	Accessory	Description
KITS10WMA	Wall Mount Bracket	Steel bracket for wall mount applications of the SP100 Air Operated Diaphragm Pump.
KITS10FRH	Filter / Regulator Kit	Air line filter, regulator, and hose
KITS05MUF	Muffler	Muffler for air exhaust
KITS10WCH	Assembly Wrench	Special service tool for use on fluid cap rings (13A in diagram on page 8).

Visit us on the web at:

[www.sotera.com](http://www.sotera.com)

Learn more about Tuthill Corporation and our family of high quality, value minded products at:

[www.tuthill.com](http://www.tuthill.com)



Sotera Systems  
8825 Aviation Drive  
Fort Wayne, IN 46809  
1-800-834-2695

